



# LAKINSTRUCACTIVE Basic Instructions rev 0620

## Informational Data for Those Who Purchased the Lakhovsky Unit

A color copy of the instructions can be down- loaded from the products main page on the web site.  
*These instructions are new and if you need further data let us know by EMAIL OR CALL US*  
*See also downloads of books and helpful medical explanations on performance issues etc*

## LAKMWO10 Laskowski Multi-Wave Oscillator setup instruction

### **PLEASE READ BELOW NOTES**

***The New Lakhovsky machine now has a clear protective plastic shroud that goes around the bottom and allows covering the top flat spiral coil. This partition will help to prevent accidental contact with the high-voltage parts and is labeled do not remove unless you are qualified in handling this type of equipment!***

Most units come with several feet of green wire. This is intended to connect to an earth ground, such as a AC receptacle socket plate screw or other known ground point. **It is not for connecting to the coil of the antenna, as this will greatly reduce or possible damage the machine.** Those who use 3-wire grounded wall outlets need not to worry about this wire and coil it up where it is not an issue

This machine will produce a small amount of ozone if not properly ventilated or being used in a very small confined area could be a problem and proper ventilation may be required. Usually if the Ozone smell is pleasant like after a passing thunder shower it is probably not a problem. How-ever if you are going to expose patients or yourself you must take this into consideration. And we recommend you obtain an ozone detection device we can supply that will measure the amount of ozone per-cents in the air. It included a download that will take you to a specification sheet on ozone what its benefits are and what it also has so far is not been an issue. How-ever unlikely, it must be addressed as a potential negative attribute should it ever becomes excessive.

CAUTION: FDA safety standards state that .05 parts / million are considered acceptable for continued human exposure. If unit is operated in an inhabited area on a continuous basis, output should be just set to the point where a pleasant odor is detectable. This only is an approximate setting and should be verified by a certified meter. These can be purchased or rented and is strongly advised if you use the unit for treating patients

**Neither the publisher nor the author makes any representations as to the accuracy of the information contained herein and disclaim any liability for damages or injuries, whether caused by or resulting from inaccuracies of the information, misinterpretations of the directions, misapplication of the information or otherwise**



### **Important Data: Please Read Before Using**

\*The spark gap is factory set to 1/16" This setting is very critical in determining the treatment time of your sessions. **As of 3/19/18 this setting has been tested for run times of 10min-on/10min-off**

\*Please note if you increase the spark gap separation distance you will **void your warranty** on this product

Tap lead is factory set for proper frequency and waveshape when set and displayed on a scope

### **Brief Data for Operating Your Lakhovsky**

1. It is suggested to study some of the downloadable material where you may find worthwhile data on your malady
2. It is recommended to sit in front of the antenna about 2-3 feet
3. Maintain a position where the treatment area is at midsection of antenna for optimum exposure.
4. Keep treatment time no more than **10 minutes** intervals

Please be aware physical contact with the antenna may cause annoying yet harmless shocks.

**This unit is for experimental alternative health remedies.**

### **You Will Note Your New Lakhovsky Machine Now May be Used for Patient Treatment.**

*A clear protective plastic shroud goes around the bottom and allows covering the top flat spiral coil. This now will make it almost impossible to contact any high-voltage parts! It will be labeled, do not remove unless you are qualified in handling this type of equipment*

Dr. Lakhovsky was a Russian researcher who experimented with the effect of high-frequency electromagnetic radiation on various parts of living organisms.

There have been many controversial claims about the health effects of this device. The theory is that all cells in a living body possess an intrinsic vibrating resonant frequency that can be energized by an external means, and that diseased cells appear to have a weaker and different frequency, that can be brought back into step with adjacent healthy cells. **Some researchers have exposed cells to this full spectrum of electromagnetic vibratory energy to investigate anti-aging effects,** and

others have looked into the possibility of cellular regeneration to see if there was any potential in the fight against cancer.

We can- not make any claims to the health effects of this device, as it has not been evaluated or approved by the FDA, so any effects must be through the experimentation of the operator or user and the claims made by individuals who received treatment.

At this point it is recommended to obtain all the complete **free** downloadable pages of (LSK1) book on our website and familiarize yourself with the potentials, treatments and experiments possible with this system. Or purchase from AMAZON as the **LAKHOVSKY** Multiple Wave Oscillator Hand - book

**If you think (or know) you have an ailment, always consult a medical doctor before using unit**

## Theory of operation

Figure shows a block diagram of the radiating coil and Tesla driver. The antenna coil contains a series of concentrically wound coil rings mounted in a flat plane. These coils all possess an inherent resonant frequency as a function of their physical parameters. Harmonics are also produced and together with all the coils oscillating now produce a near continuous spectrum of radio frequency energy.

A spark driven Tesla coil works wells for this application as it generates many fast steps of current that are rich in harmonic content that drive the antenna coil.

## Instructions

Switch on the unit and note many of the antenna coil rings adjacently sparking and arcing between one another. Note the outer coil ring will produce weak purplish lightning type flashing into the open air. These are not dangerous and if accidentally contacted will produce an uncomfortable sensation to most people, but not extremely painful but can be extremely annoying. Some practitioners will demonstrate the output allowing the arc to continuously flash to their knuckles, proving it is not dangerous. However, we do not sanction doing this because what is not painful to one can be almost debilitating to the wrong person

It is recommended to obtain all the complete free downloadable pages of book on our website and familiarize yourself with the potentials, treatments and experiments possible with this system. We strongly suggest to purchase from AMAZON as the **LAKHOVSKY MULTIPLE WAVE OSCILLATOR HAND BOOK** contains a wealth of data on this remarkable machine.

### Downloadable Data For Further Information

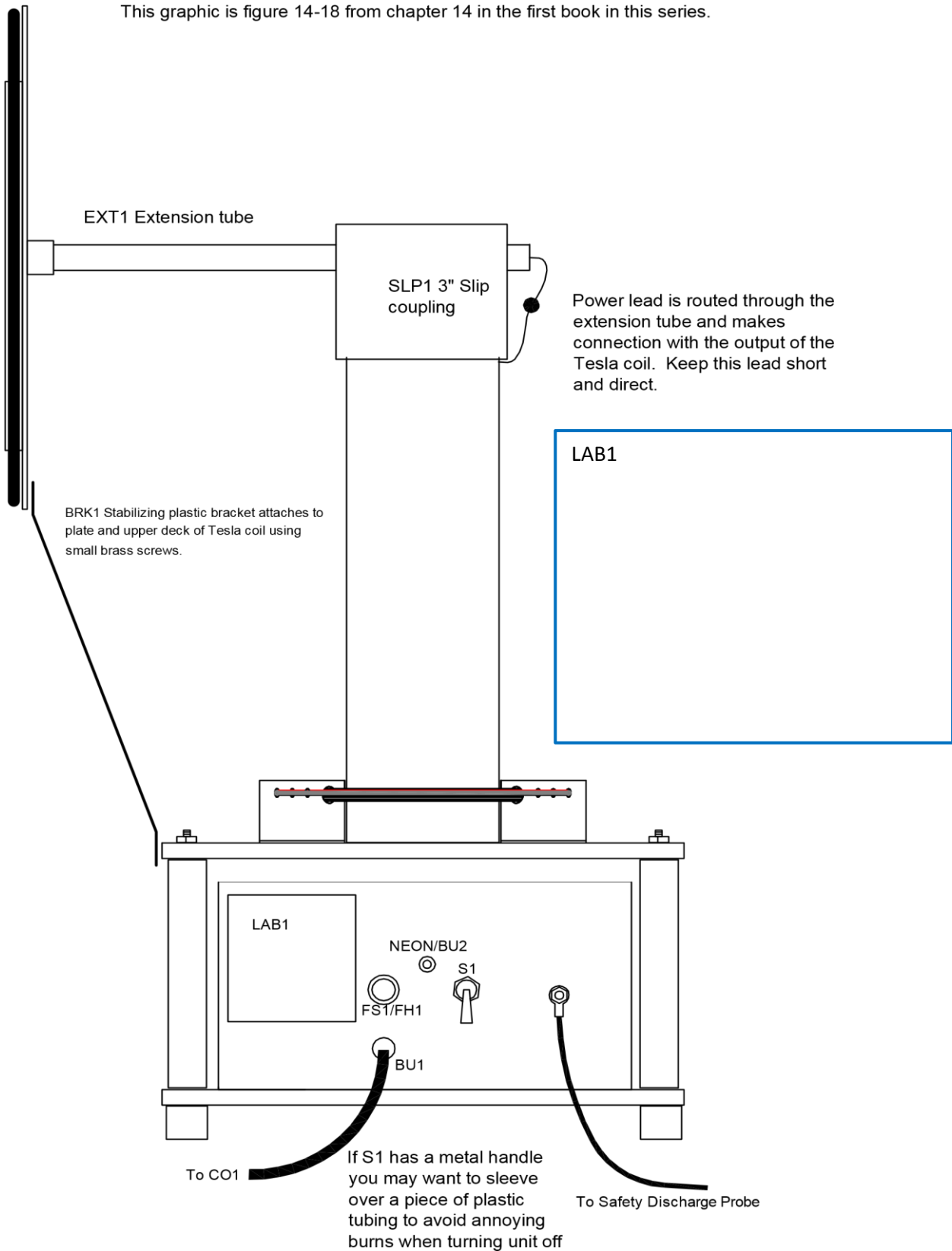
 [Mark Clement, Waves That Heal](#) 47 PAGES

 [Georges Lakhovsky, Radiations and Waves, Sources of Our Life](#) 73 PAGES

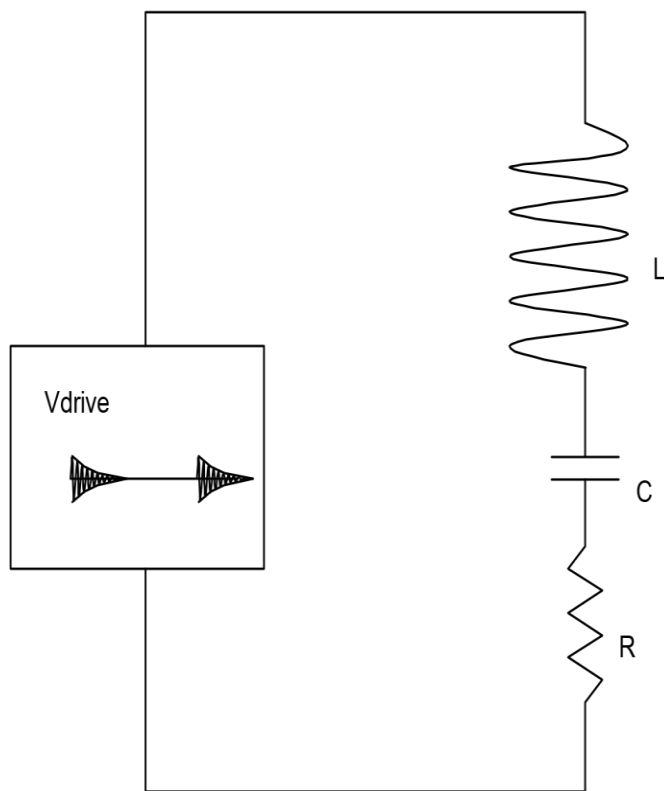
 [Radio-Cellulo Oscillator of George Lakhovsky](#) 5 PAGES

# View of system with our modified BTC30 Tesla coil without new protective clear plastic shroud

This graphic is figure 14-18 from chapter 14 in the first book in this series.



# A little technical theory



L1 to Ln represents the inductance of all of the coils  
C1 to Cn represents the capacity of all of the coils  
R1 to Rn is the radiation resistance of each section  
Frequencies are the sum of the resonant sections ranging up to the gigahertz

L is the sum of L1 to Ln  
C is the sum of C1 to Cn  
R is the sum of R1 to Rn and is mainly the radiation resistance

The undamped current wave from the output of the Tesla driver induces voltages at many frequencies into the multi coils of the antenna