

Fig 28-2 Phaser Pain Field Property Guard

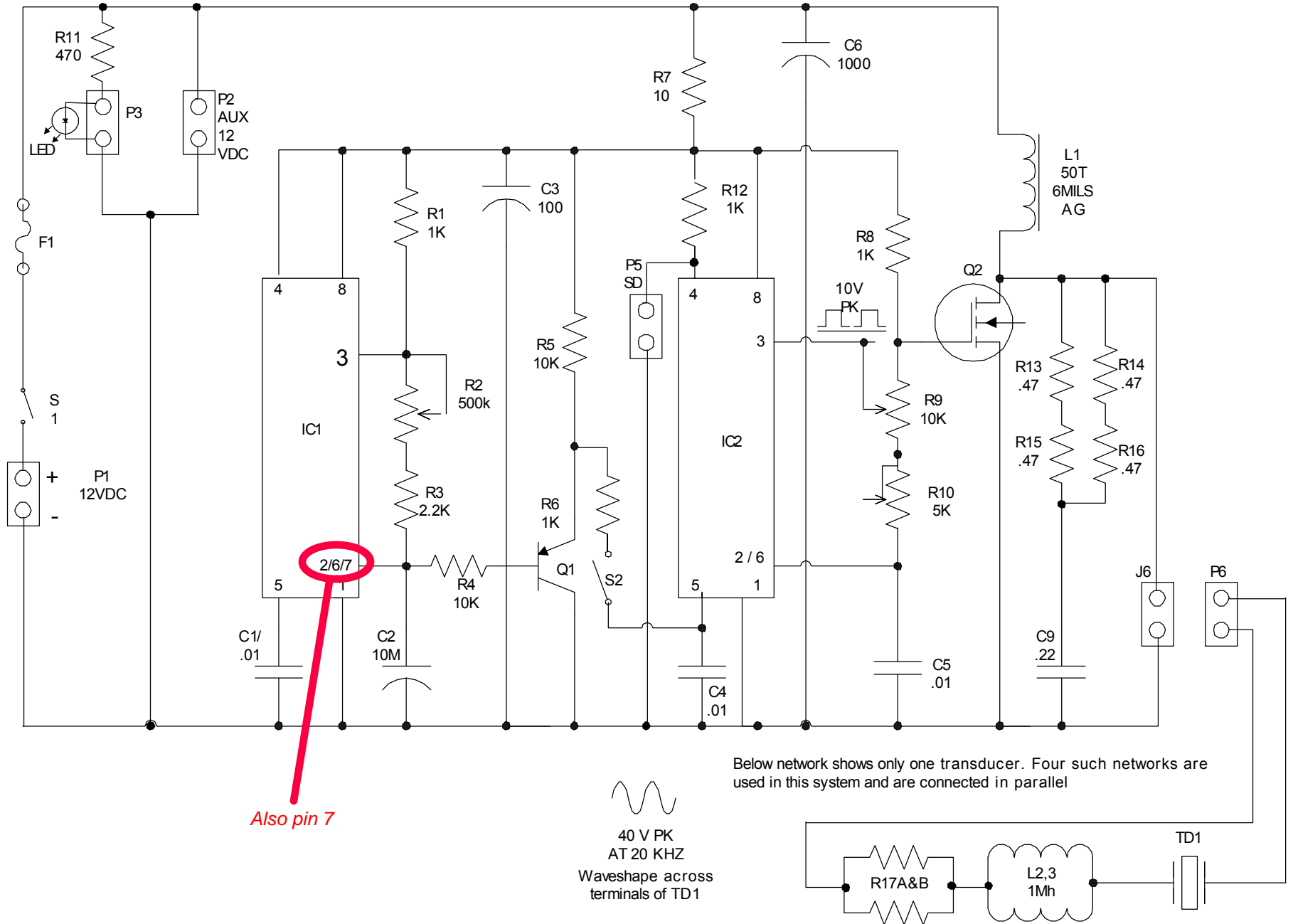
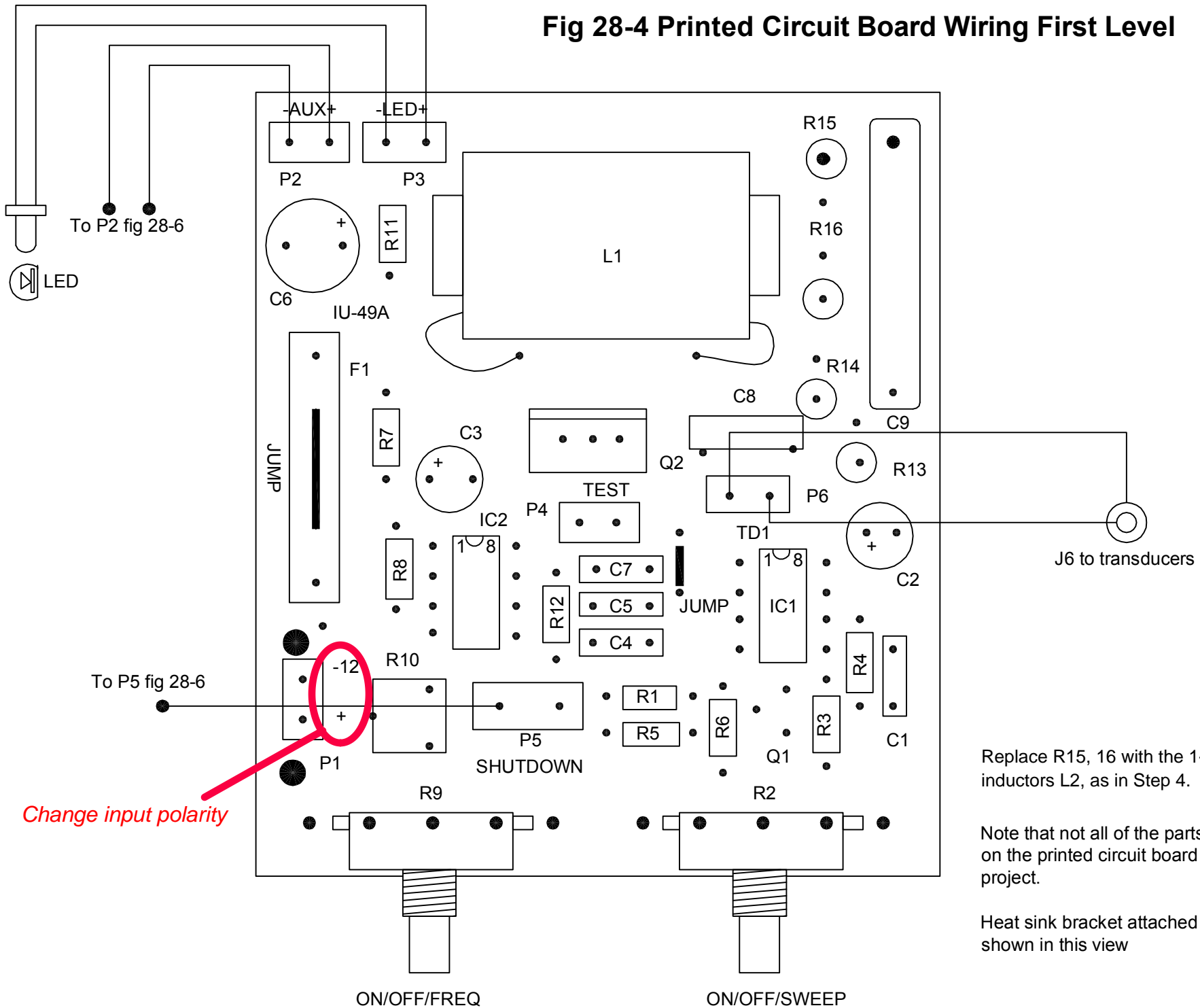


Fig 28-4 Printed Circuit Board Wiring First Level



Replace R15, 16 with the 1-millihenry inductors L2, as in Step 4.

Note that not all of the parts as designated on the printed circuit board are used for this project.

Heat sink bracket attached to Q2 is not shown in this view

Fig 28-5 Printed circuit board wiring, second level

