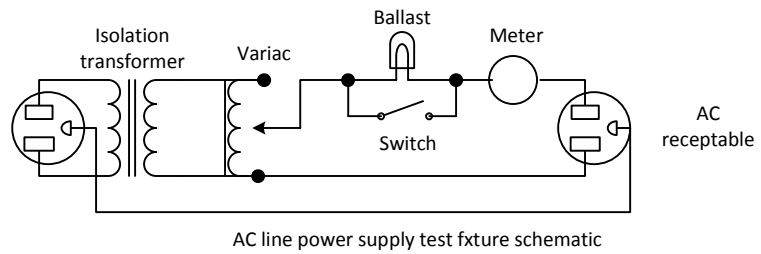
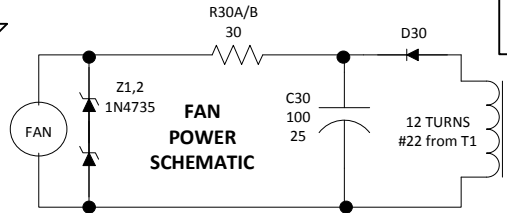
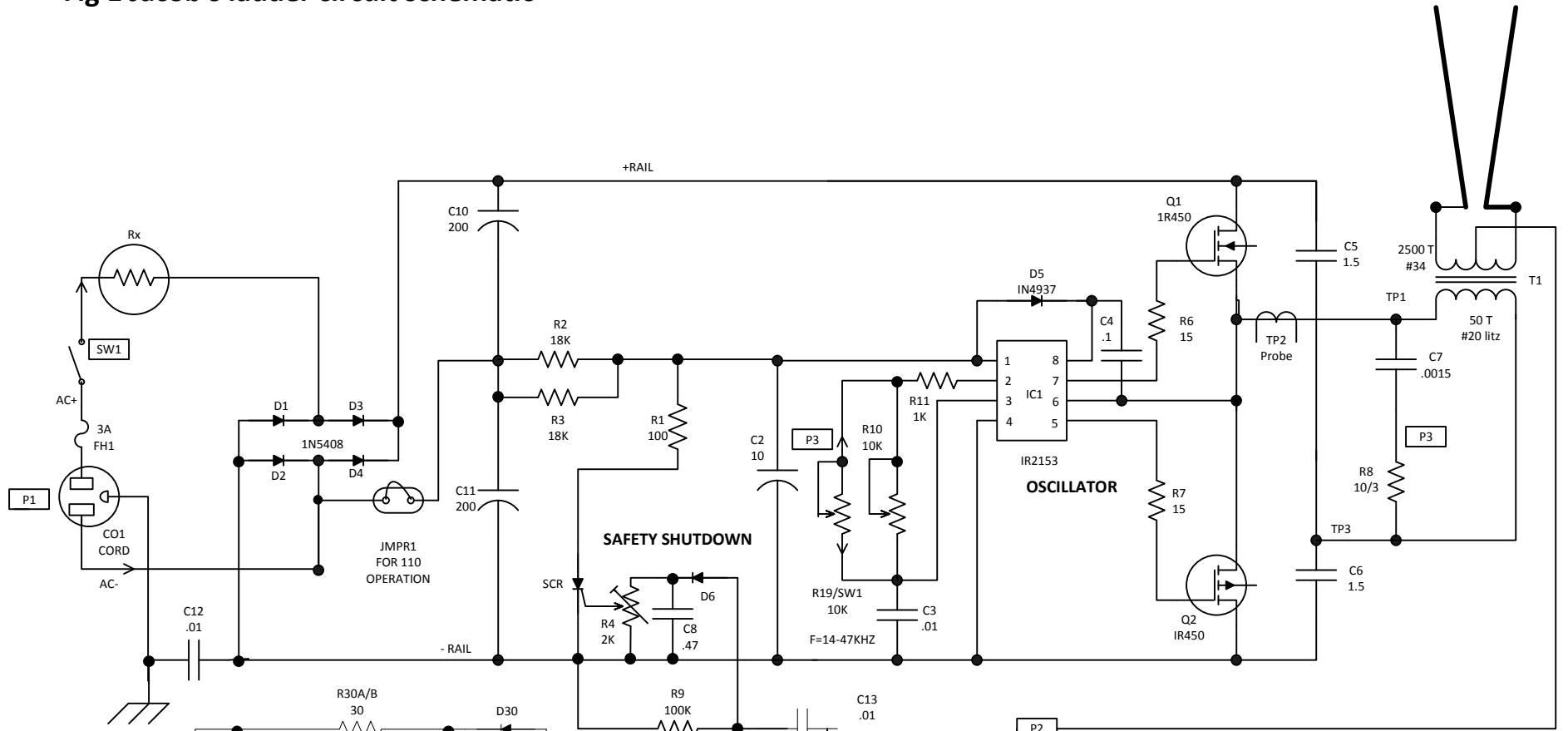
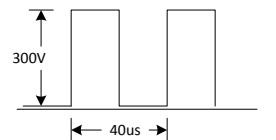


Fig 1 Jacob's ladder circuit schematic

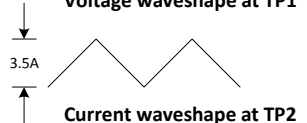


T1 Internal specifications

Core	IU-44130-P
Bobbin	IU-XL1035
Air Gap	2 Mils/side mi tape
Lp shorted	
Lp open	
Ls shorted	
Ls open	
Np turns	90T #22 LITZ
Ns turns	3600T #37



Voltage waveshape at TP1



Current waveshape at TP2

Above measurements are with shorted output at 115 vac input and R19 FCW. See text on test setup steps