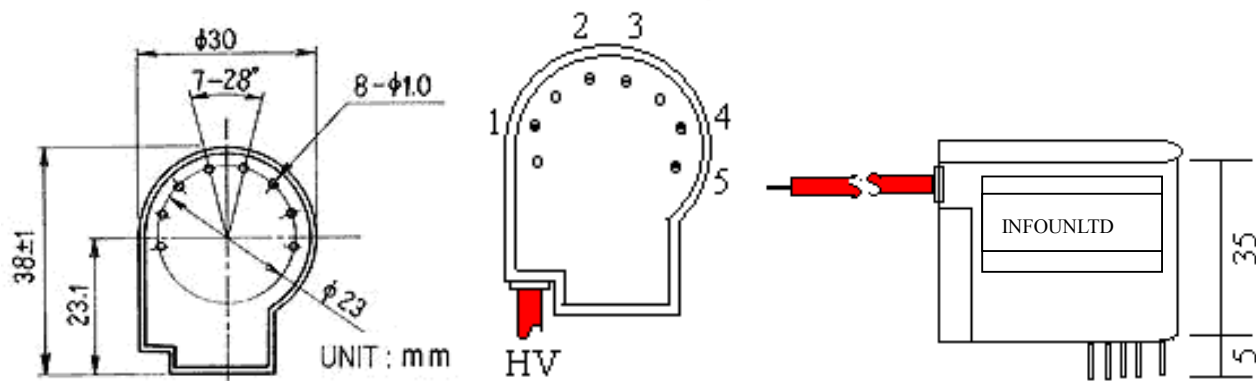
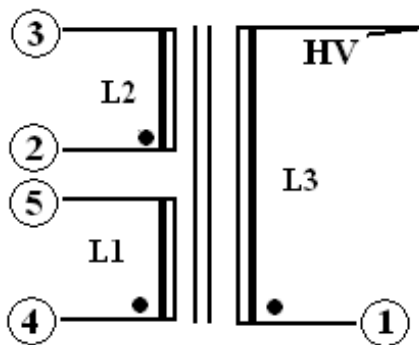


SPECIFICATION

1. DIMENSION:



2. SCHEMATIC:



3. SPECIFICAION:

MEAST. ITEM	DATA	TEST INSTRUMENT/CONDITION
INDUCTANCE L1	22.0 uH ± 15 %	LCR METER (1KHZ)
INDUCTANCE L2	18.0 uH ± 15 %	LCR METER (1KHZ)
INDUCTANCE L3	1.80 H ± 15 %	LCR METER (1KHZ)
RESISTANCE L1	115 mΩ ± 15 %	LCR METER (1KHZ)
RESISTANCE L2	140 mΩ ± 15 %	LCR METER (1KHZ)
RESISTANCE L3	155.0 KΩ ± 15 %	LCR METER (1KHZ)
HI-POT L1, L2 TO L3	5KVAC/3mA/1min	INSULATION/PUNCHER/TESTER

Turns Ratio = 286:1

INFORMATION UNLIMITED INC
WWW.AMAZING1.COM

APPROVAL

CHECKED

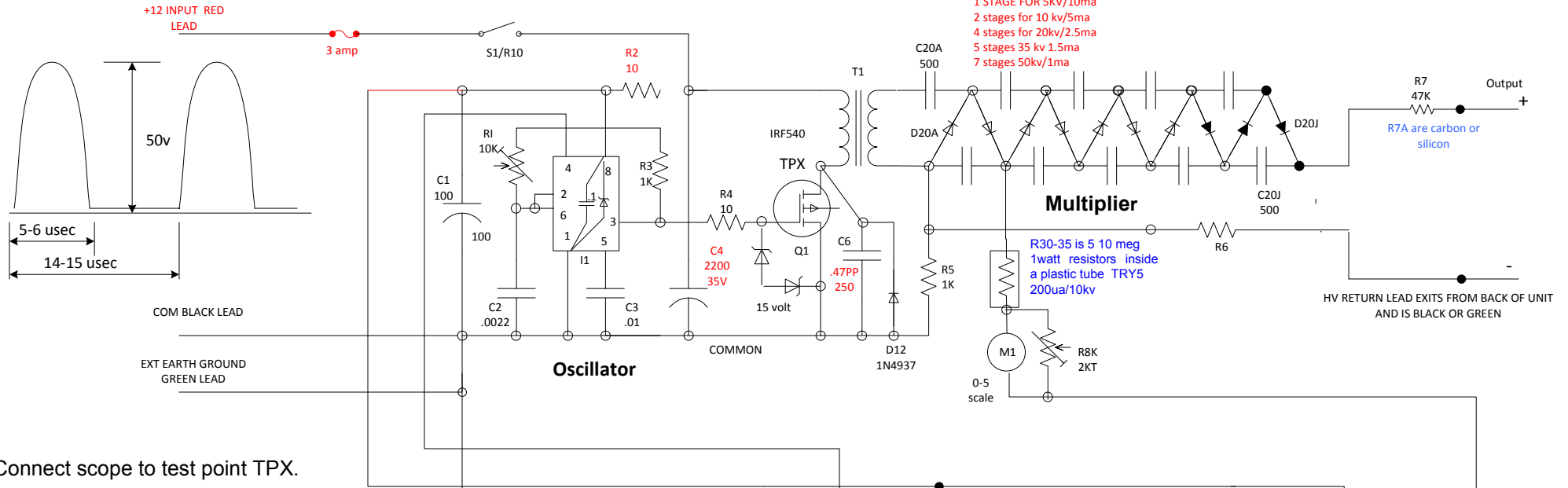
WRITTER

國式
印保

國式
印保

雲
率
印美

Sample Circuit Using TR310H



Connect scope to test point TPX.

Adjust R1 to the wave shape shown with unit connected to a 12 volt 4 amp supply.

Out put voltage should be 45kv indicating a current of over 1 ma. Input current will be 3.5 amps with a power output in excess of 45 watts!

RESCAP 1UFD
FREQ=37KHZ
USE .224pp FOR 60-70KHZ

TR310H OC PRI=20.5uH SC=3.5uH

