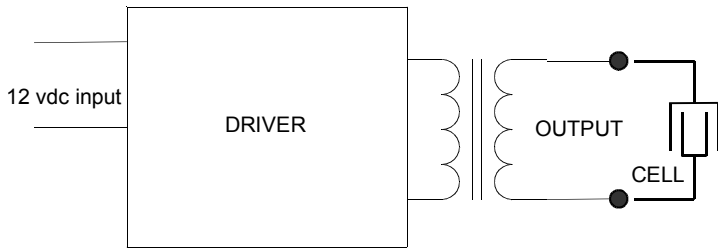
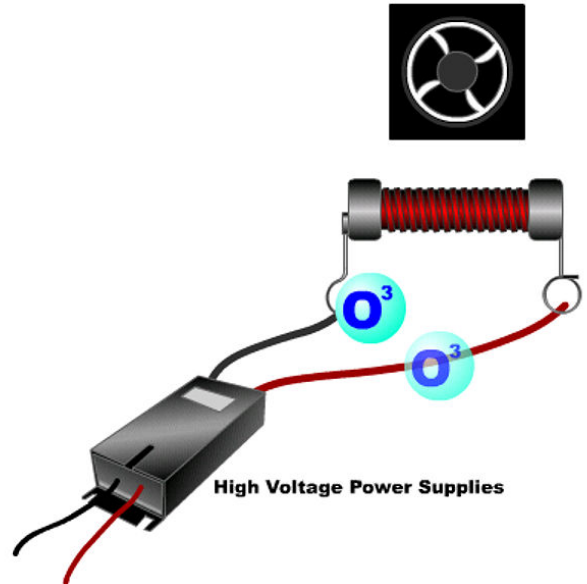
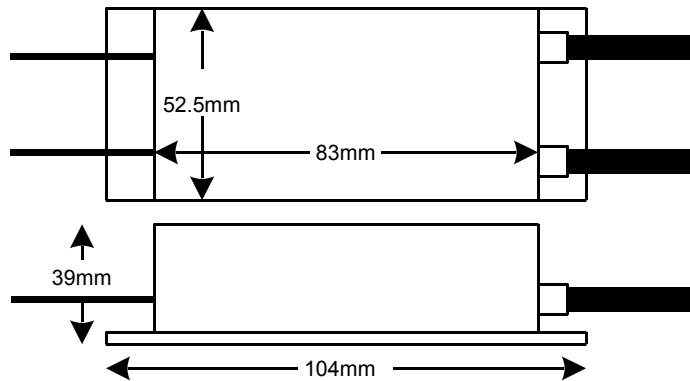


SS-05SA4 Ozone Cell Driver



Schematic



Function	Value	Tolerance	Other
Input Voltage	12 vdc		
Input Current (No load)			
Input Current (load)	700 ma		
Input Watt (No load)			
Input Watt (load)			
Output Volts	8 kvac		
Output Configuration	Floating		Do not ground
Internal Operating Frequency	60 khz		

NOTES: Designed to interface with our SS-05H55 open air ozone cell. This cell must be air cooled using a small muffin fan. Do not operate open circuit.

Always check entire system for any excessive heating

Information Unlimited PO 716 Amherst, N.H. 03031
 Tel#1 603 673 4730 Fax#1 603 672 5406
 tech@amazing1.com
 www.amazing1.com
 Copywrited 3/01