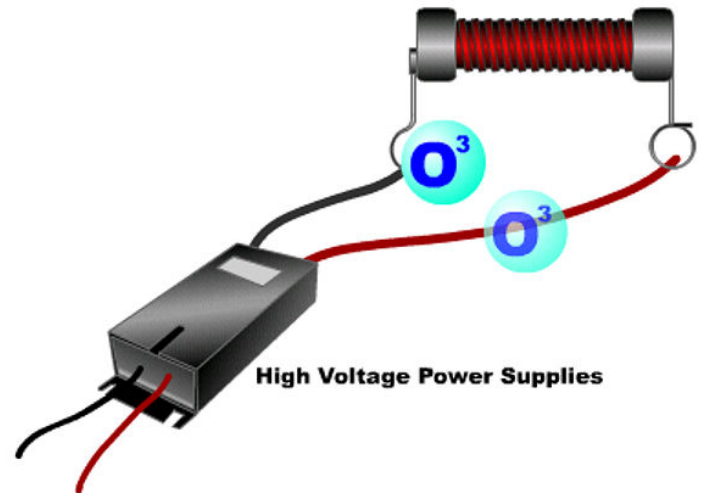
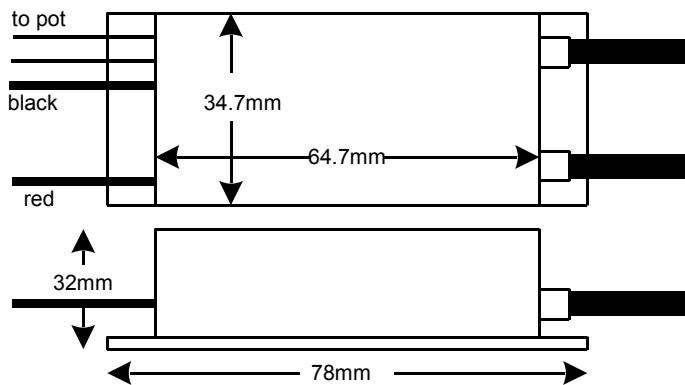
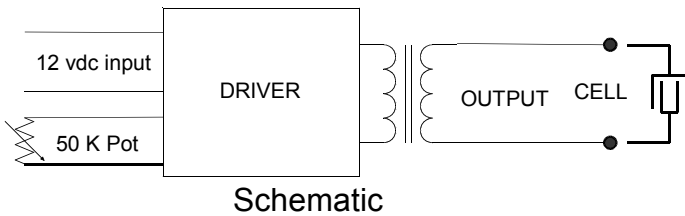


SS-01SA4 Ozone Cell Driver Adjustable High Frequency Output

You may use a 10k fixed resistor in place of the 50k adjust pot. This values provides a maximum fixed output



Function	Value	Tolerance	Other
Input Voltage	12 vdc		
Input Current (No load)	200 ma		
Input Current (load)	750 ma		
Input Watt (No load)			
Input Watt (load)	5 watts		
Output Volts	1-7kvac		Adjustable
Output Configuration	Floating		Do not ground
Internal Operating Frequency	25-32 khz		

NOTES: Will interface with our SS-05H55 open air ozone cell. This cell must be air-cooled using a small muffin fan. Adjust output as desired via optional 50 k control pot. Do not operate open circuit.
Always check entire system for any excessive heating

Information Unlimited PO 716 Amherst, N.H. 03031
 Tel#1 603 673 4730 Fax#1 603 672 5406
 tech@amazing1.com
 www.amazing1.com
 Copywrited 3/01