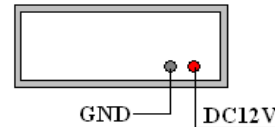
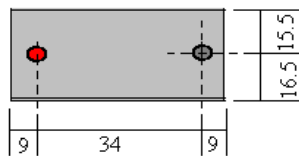
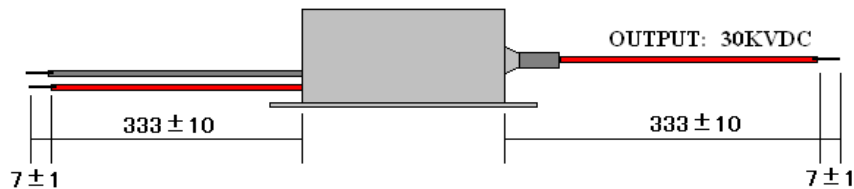
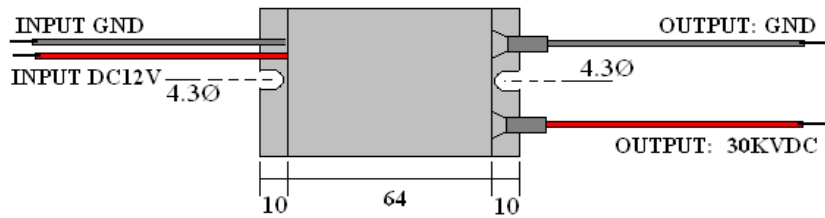
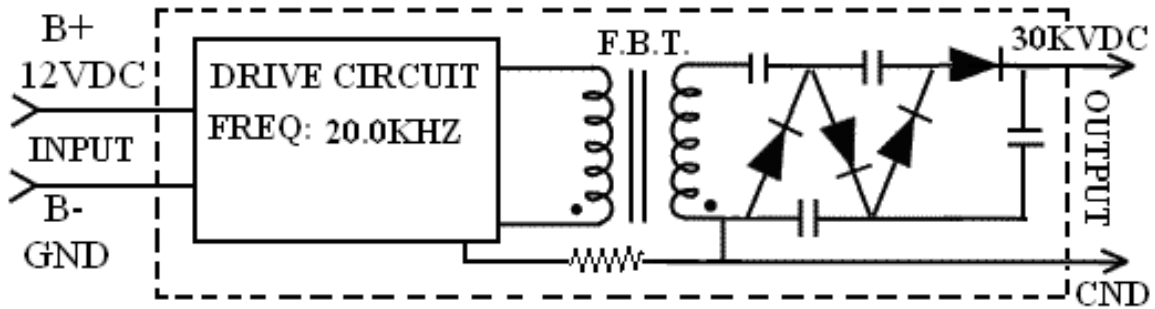


SPECIFICATION

ITEM	DESCRIPTION	SPEC.	REMARK
1	INPUT VOLTAGE (B+)	DC 12V ±0.5	RED WIRE (B+)
2	INPUT CURRENT	350 mA MAX	BLACK WIRE (B-)
3.	OUTPUT EHV NO LOAD	+30.0KVDC ±1KV	RED WIRE (HV)
4.	OUTPUT CURRENT	80 uA MAX	BLACK WIRE (GND)
5.	INSIDE FREQUENCY	20.0KHZ ±1KHZ	

TEST CIRCUIT:



Information Unlimited PO 716 Amherst, N.H. 03031
 Tel#1 603 673 4730 Fax#1 603 672 5406
 sales@amazing1.com
 www.amazing1.com
 Copywrited 3/13

APPROVAL

CHECKED

WRITTER

--	--	--