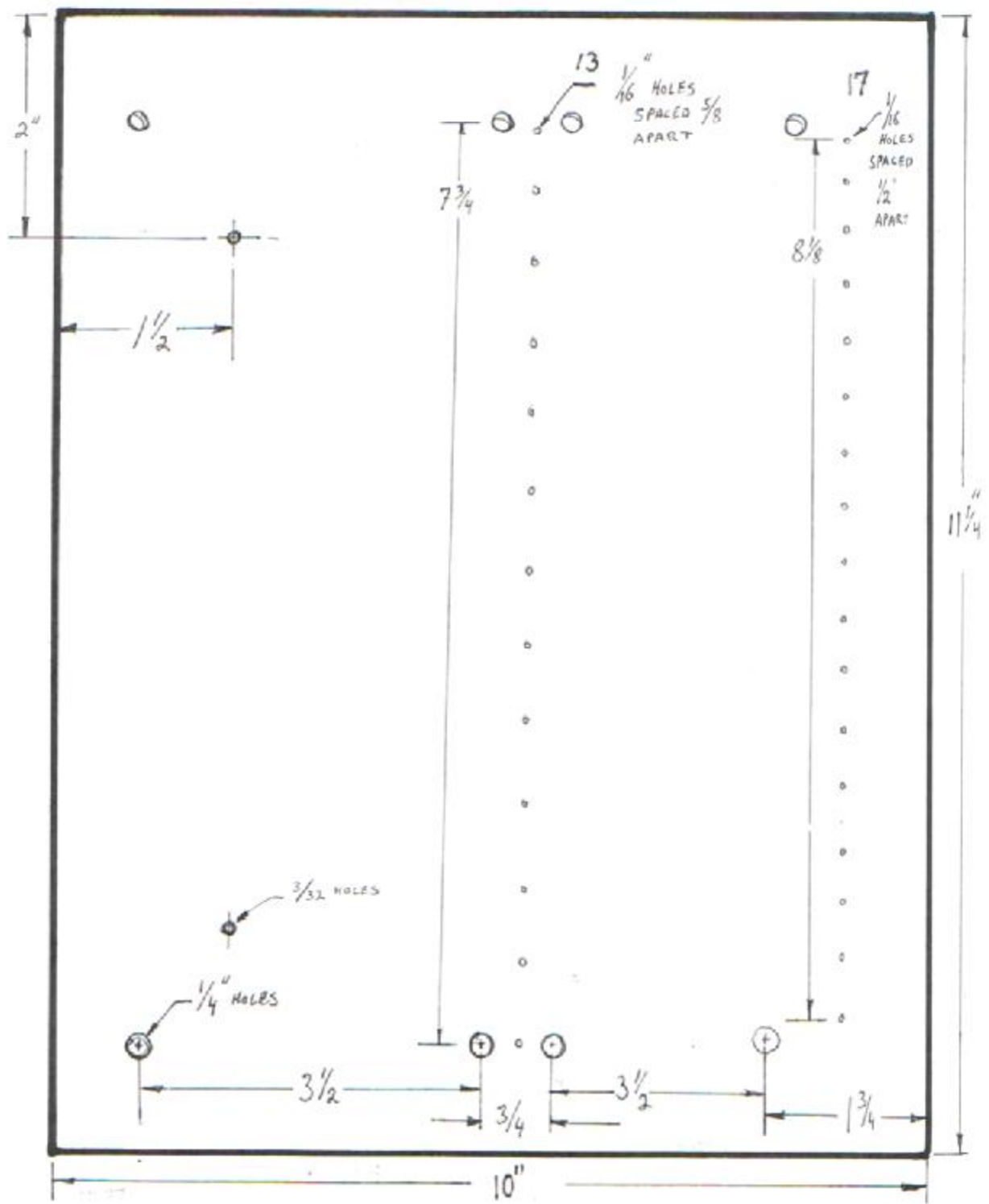
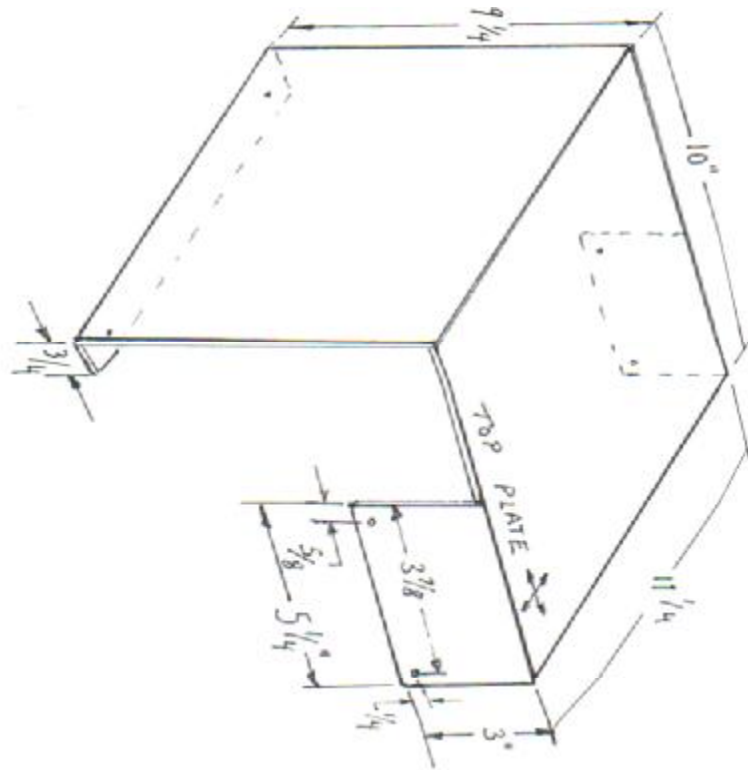


FIG 3A SUPPRESSOR LAYOUT BOARD



TOP PLATE LAYOUT

FIG 3B SUPPRESSOR MOUNTING BRACKET



MATERIAL $\frac{1}{8}$ " LEXAN SHEET

BTC 70
SURGE PROTECTION ASSY

FIGURE 3C SUPPRESSION CIRCUIT LAYOUT
dcco1-4

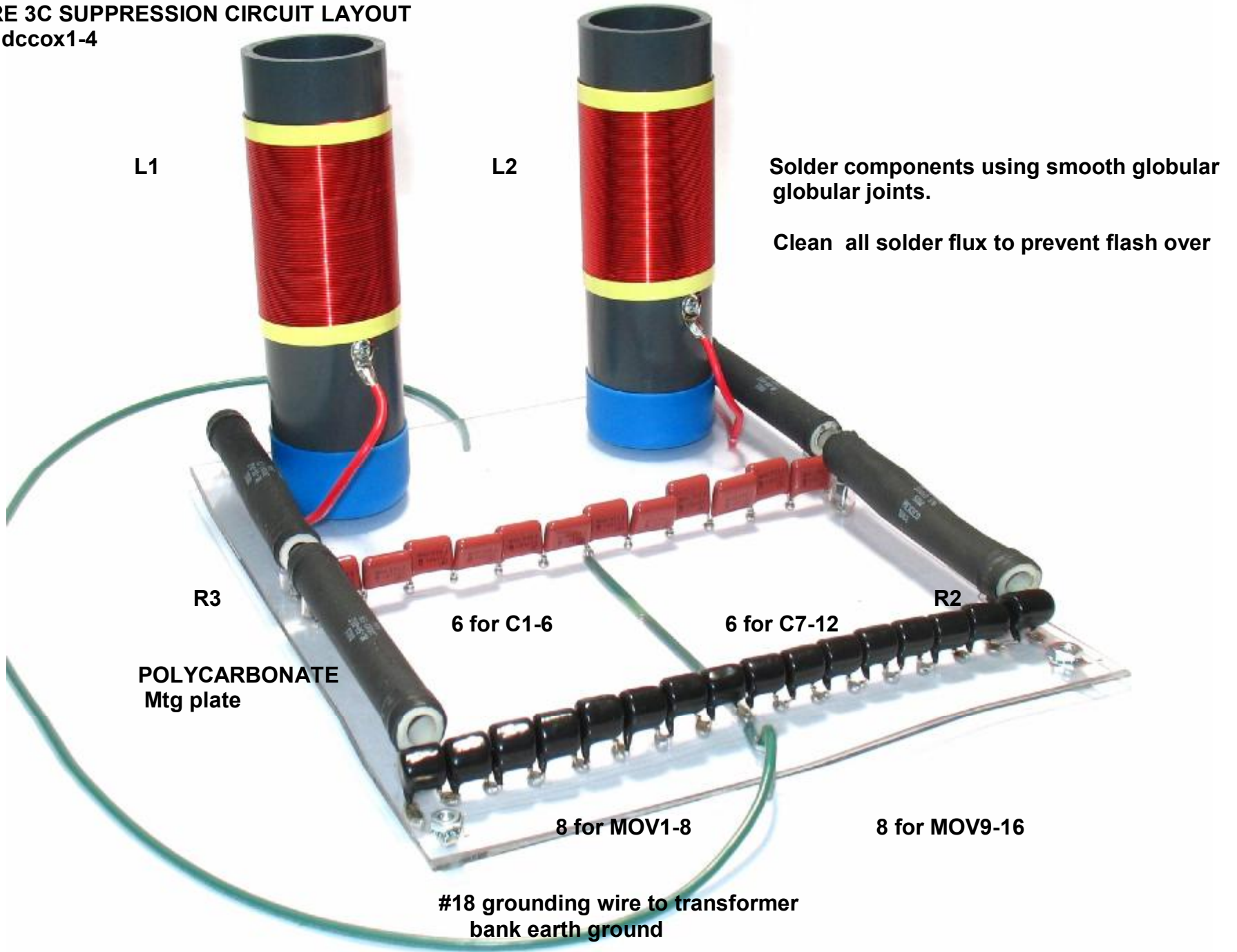
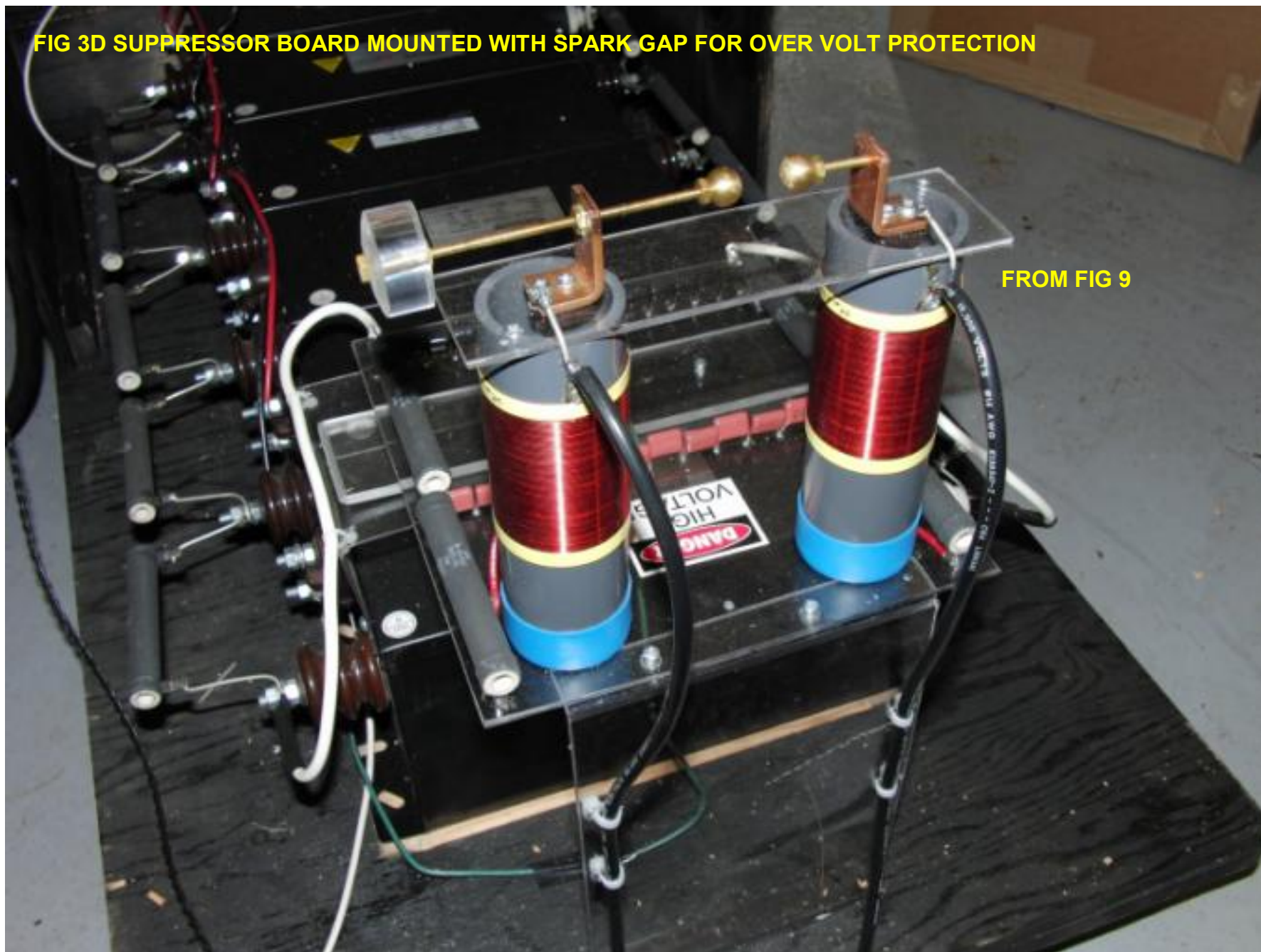


FIG 3D SUPPRESSOR BOARD MOUNTED WITH SPARK GAP FOR OVER VOLT PROTECTION



FROM FIG 9