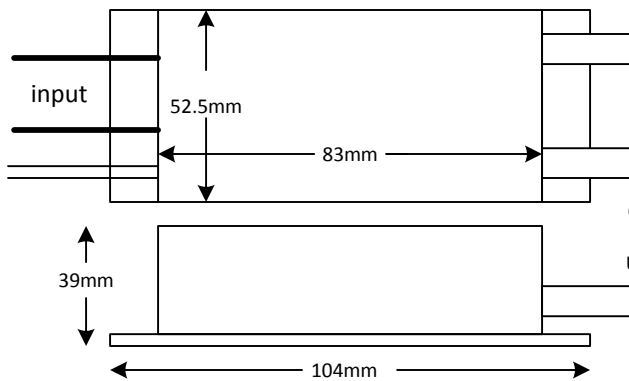
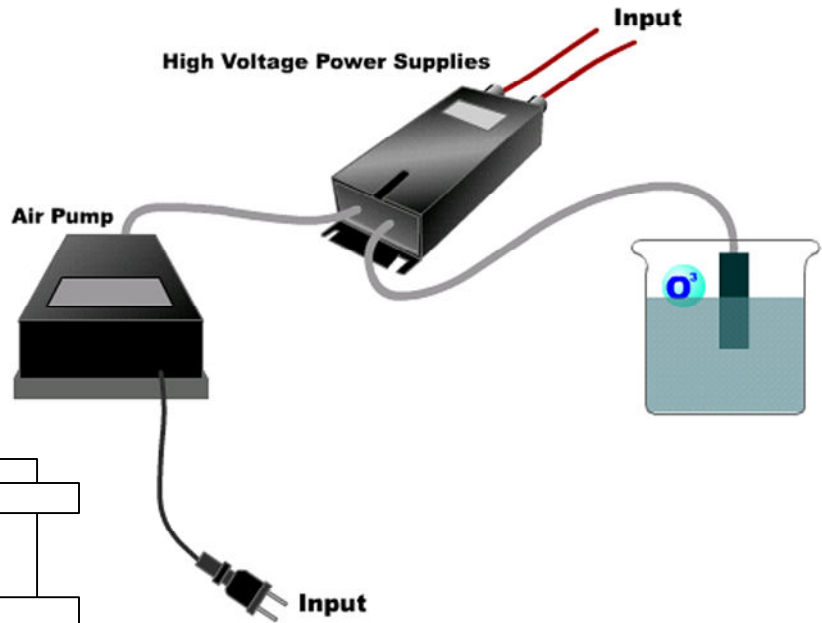
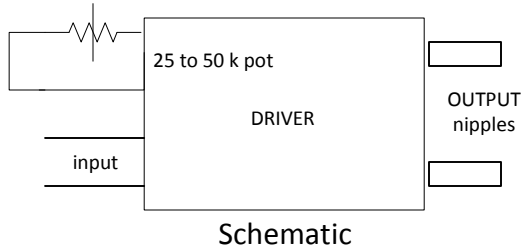


Instructions for 115 vac and 12 vdc



Output hose couplings for air in and ozone out. Use ozone resistant VITOR or HYPALON

Models	Functions	Value	Other
Both units	Ozone output	130 mg/hour	
Both units	Air input	7 L/minute	
Both units	Internal Operating Frequency	18-25 khz	
12DC Model	Function 12 volt unit		
	Input Voltage	12 vdc	
	Input Current (load)	650 ma	
115VAC Model	Function 115 vac unit		
	Input voltage	115 vac	
	Input current	100 milliamps	

Information Unlimited PO 716 Amherst, N.H. 03031
 Tel#1 603 673 4730 Fax#1 603 672 5406
 Email <tech@amazing1.com>
 Web <www.amazing1.com>
 Copywrited 3/01