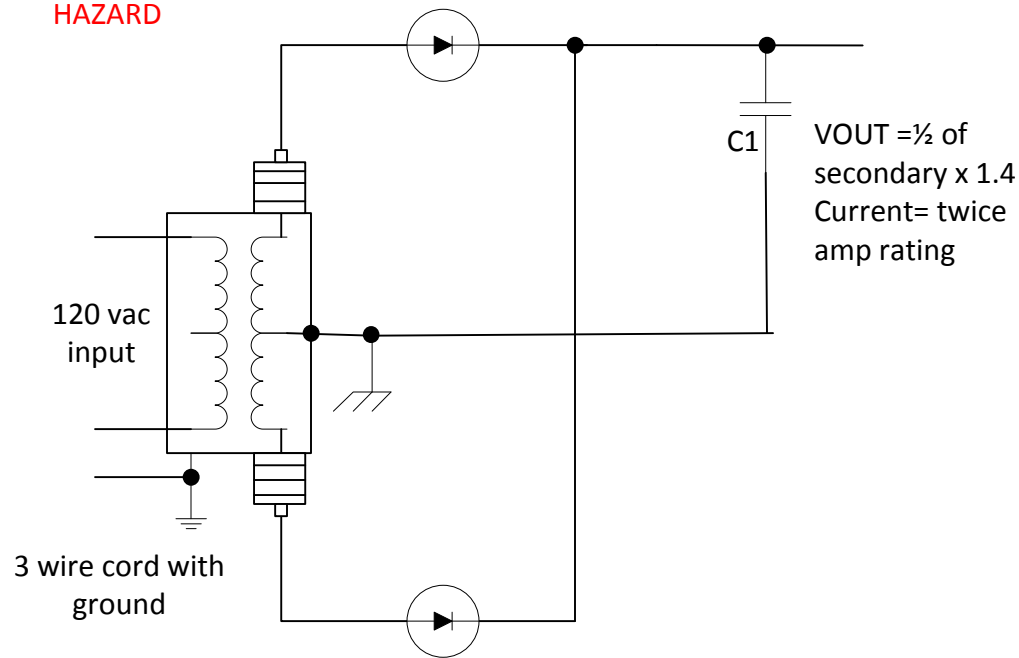


DANGEROUS DEVICE
ELECTROCUTION
HAZARD

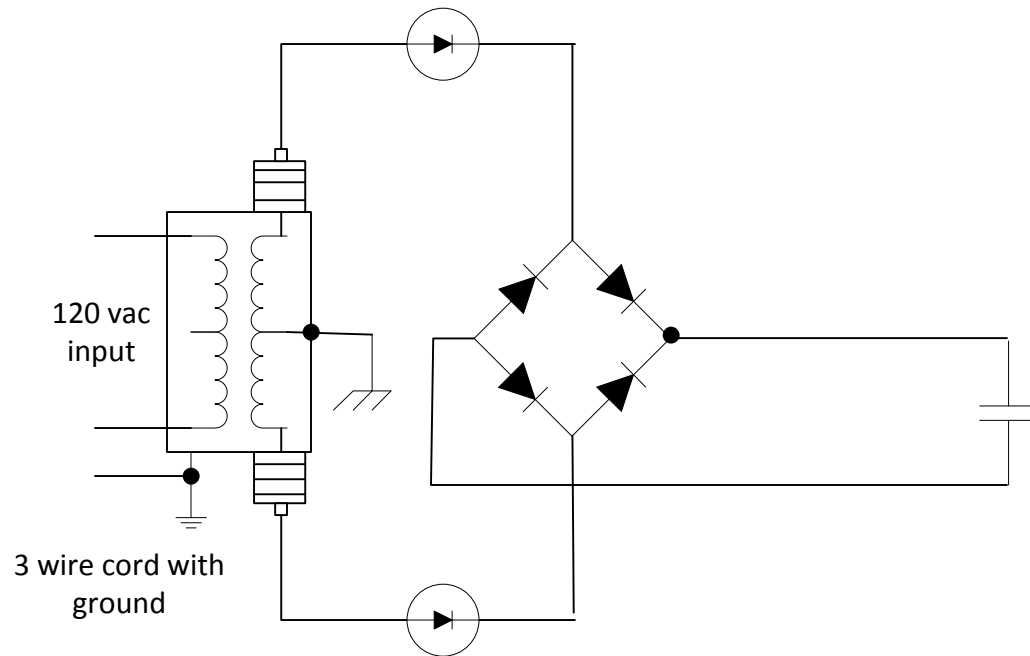
Using your transformer for DC applications

DANGEROUS DEVICE
ELECTROCUTION
HAZARD



DANGER! OUTPUTS ARE GROUND REFERENCED AT THE FULL RATED CURRENT. DO NOT ATTEMPT THESE CIRCUITS UNLESS EXPERIENCED IN HIGH VOLTAGE

Diodes - 15,000 Volt at 200ma HV
Standard Recovery Diode as our
#VG15KV200 or #VG20KV200
These are on our web site



Capacitors can be .1 to 5 mfd
At a rating of over the voltage
output by plus 10% min. Larger
capacitors can be used but are a
dangerous threat of electrocution or
serious injury. ***Not recommended***

$V_{OUT} = 1.4$ of full secondary x
Current = trans amp rating.
Note HV cannot be grounded.