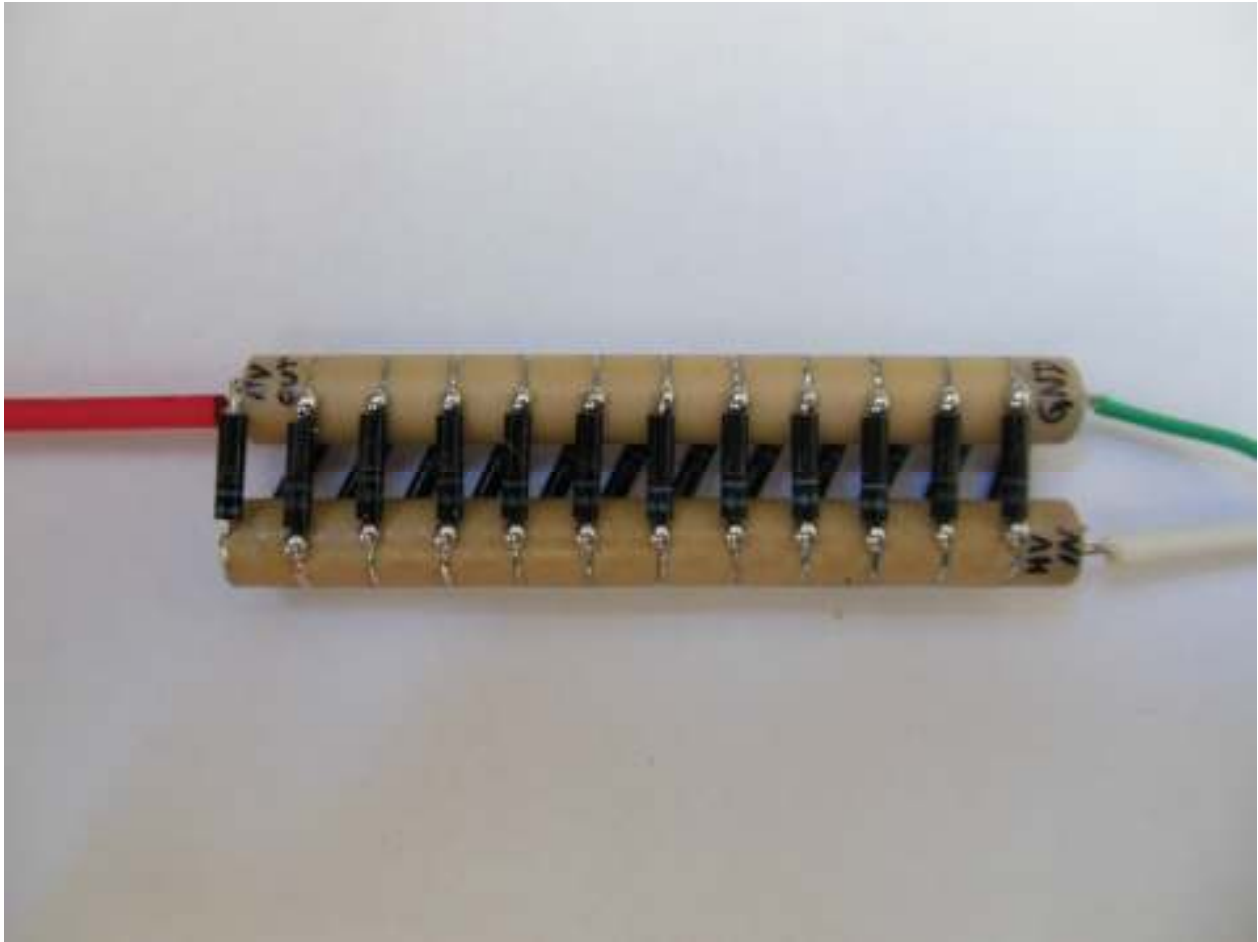
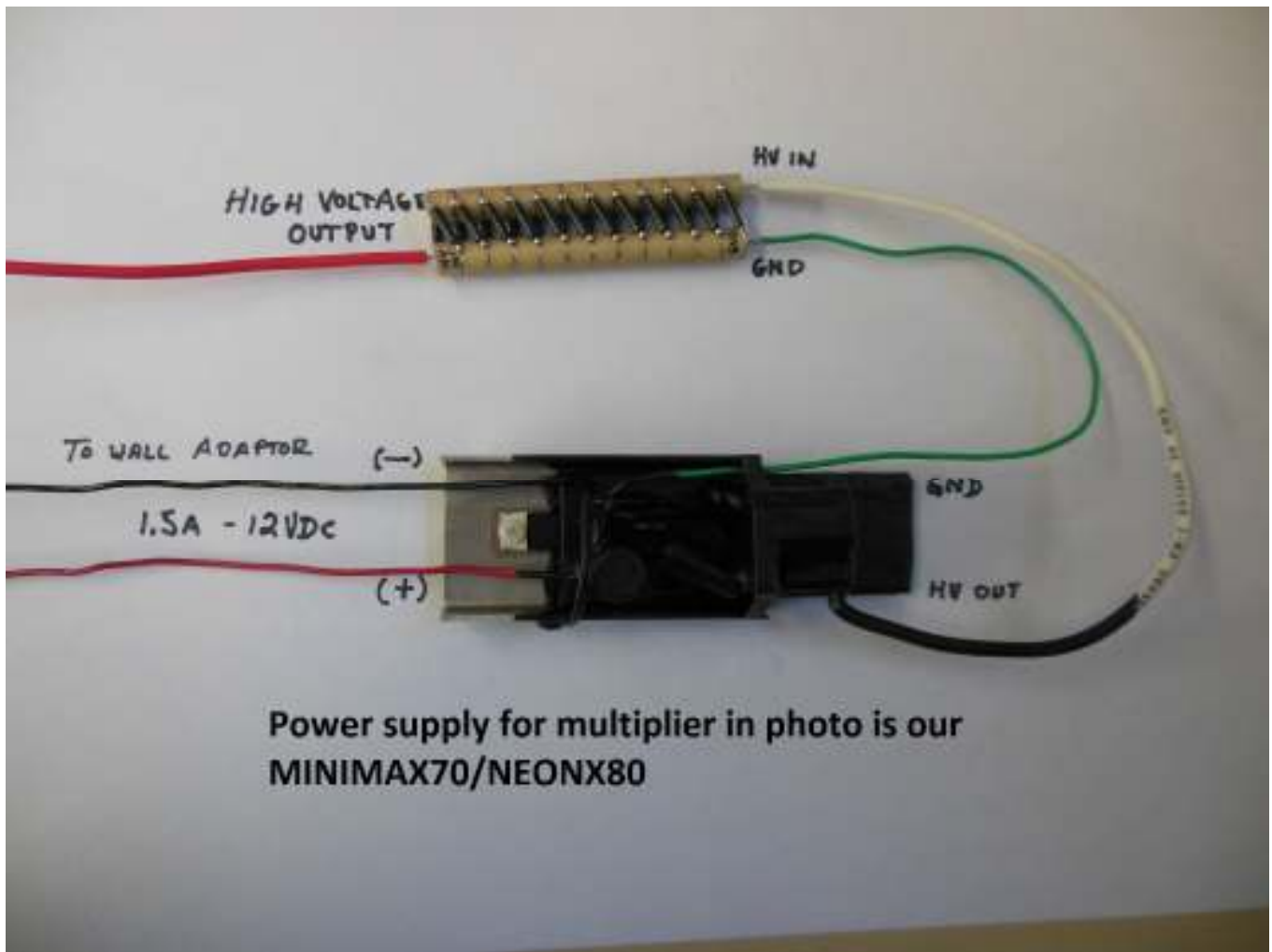


## MODELS ON WEB SITE

**MULTI120KV-0.15J MULTI180KV-0.2J MULTI240KV-1.1J MULTI360KV-1.2J**

Brief instructions on our multiplier series intended for flocking, paint guns, charge projection shocking and any device requiring microamps of current at extremely high voltages. Produces an effective electric field, ions for research in protection from dangerous static fields, remote wireless charging and many other functions





to obtain full output unit must be immersed in oil

H VOLTAGE  
OUTPUT



HV IN

GND

OR

(-)