

CHAPTER 21

(Addendum)

These full-color high-resolution photos and schematics go with the book *Electronic Gadgets for the Evil Genius (Second Edition)*, and may provide clarity or details beyond what the book itself contains, if needed. This device, and its parts/components, may be available at www.amazing1.com

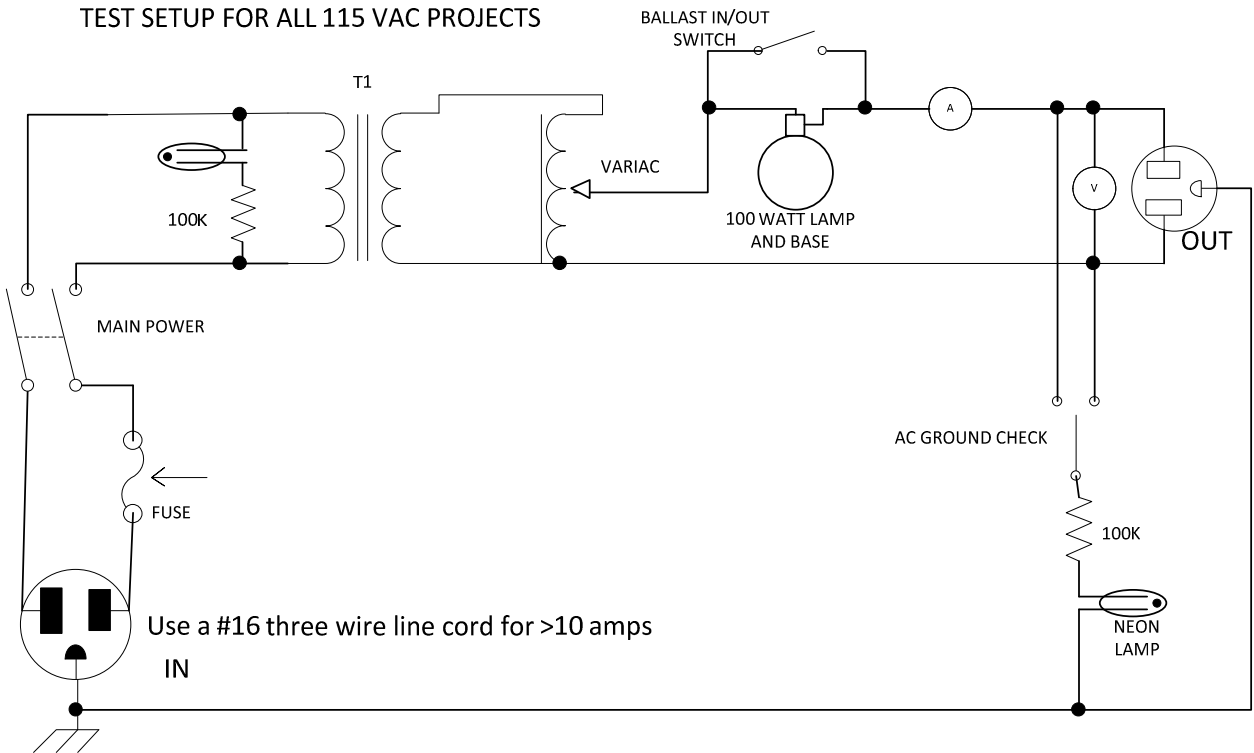


Figure 21-1: Test Supply Schematic

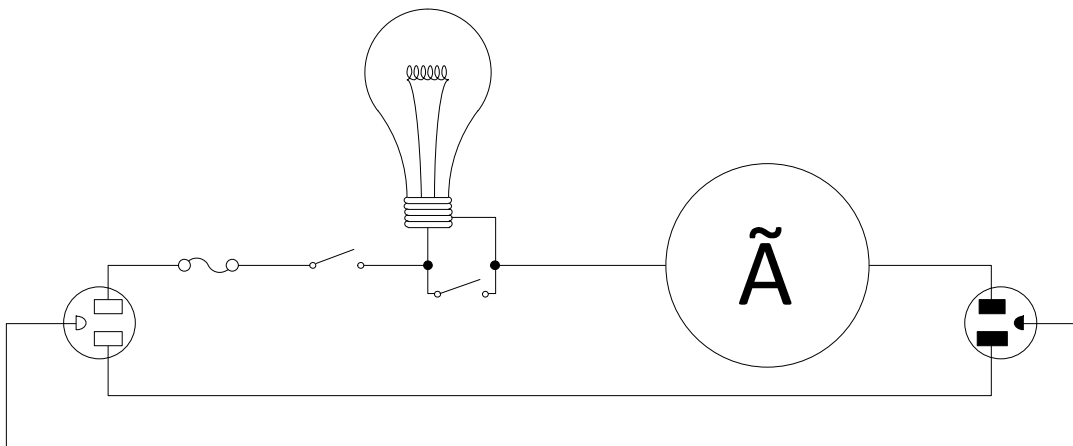


Figure 21-2: Ballast Box Schematic

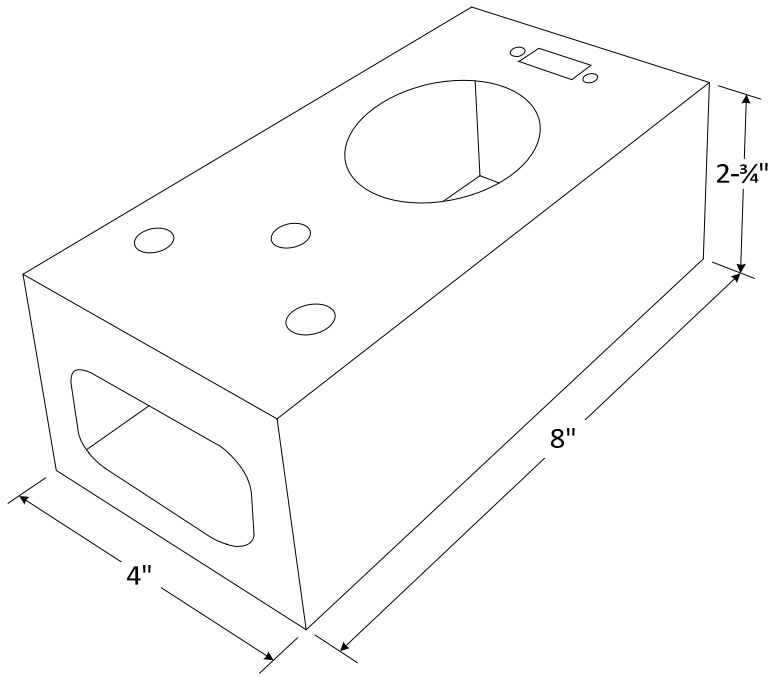


Figure 21-3: Box

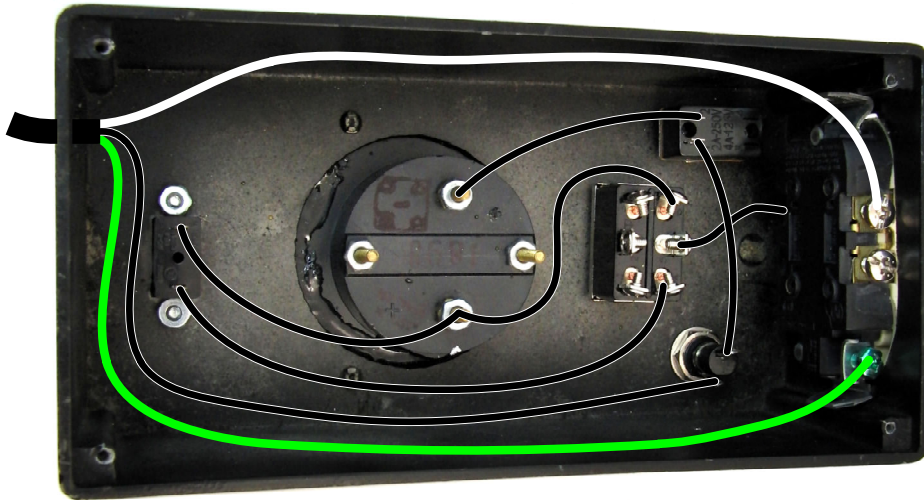


Figure 21-4: Ballast Box Wiring



Figure 21-5: Bottom With Feet



Figure 21-6: Ballast Box