

# CHAPTER 16

## HHO Igniter

These full-color high-resolution photos and schematics go with the book *Electronic Gadgets for the Evil Genius (Second Edition)*, and may provide clarity or details beyond what the book itself contains, if needed. This device, and its parts/components, may be available at [www.amazing1.com](http://www.amazing1.com)

---

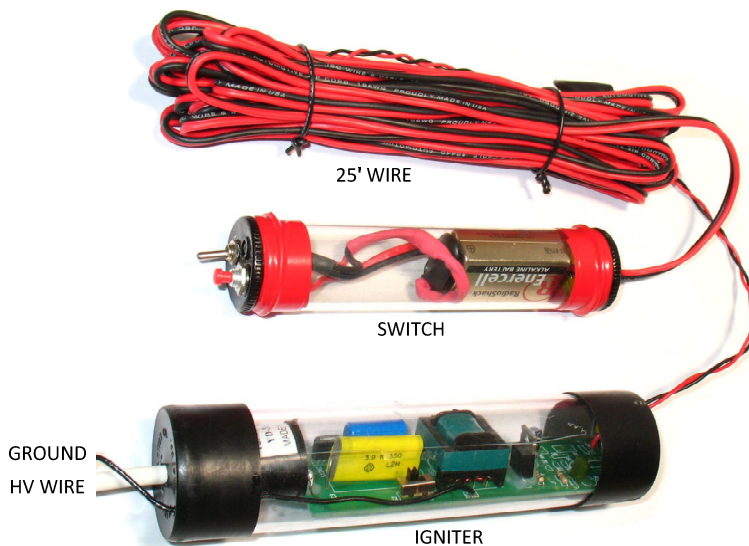


Figure 16-1: Switch, Wire, Igniter

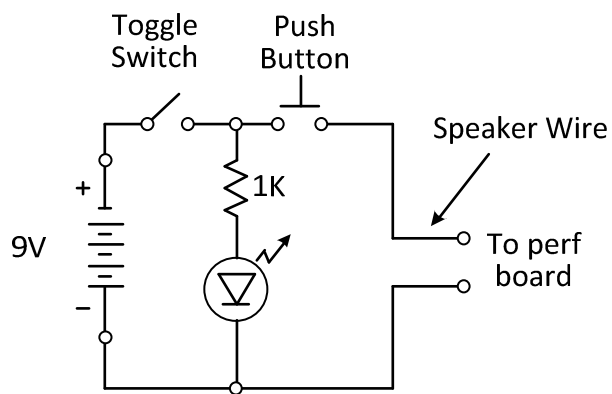


Figure 16-2: Switch Schematic

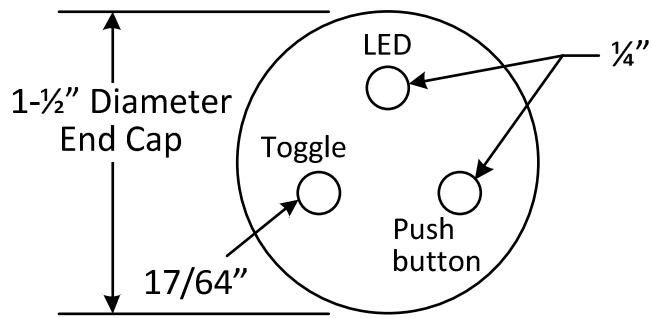


Figure 16-3: End Cap

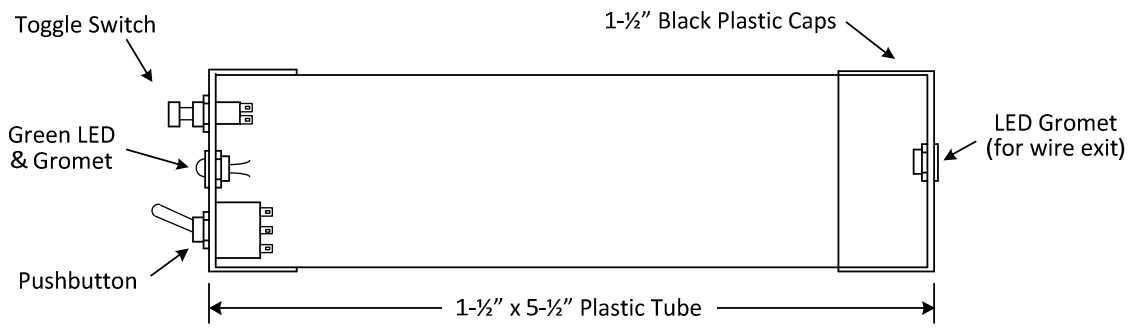


Figure 16-4: Remote Switch

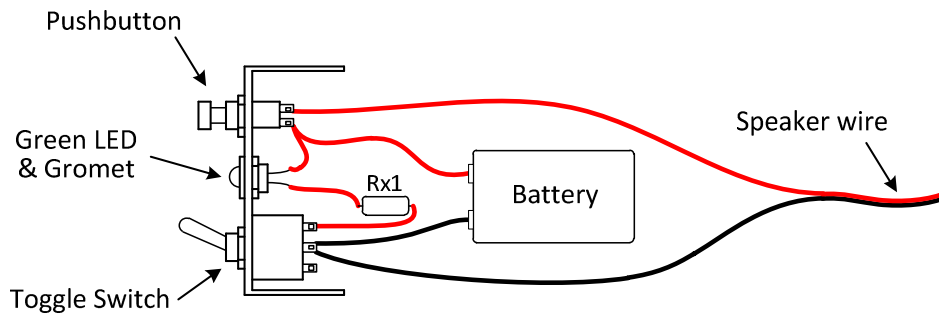


Figure 16-5: Remote Switch Wiring

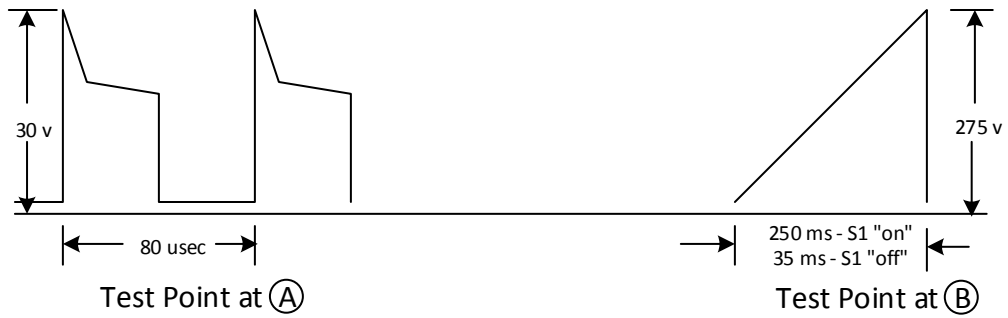
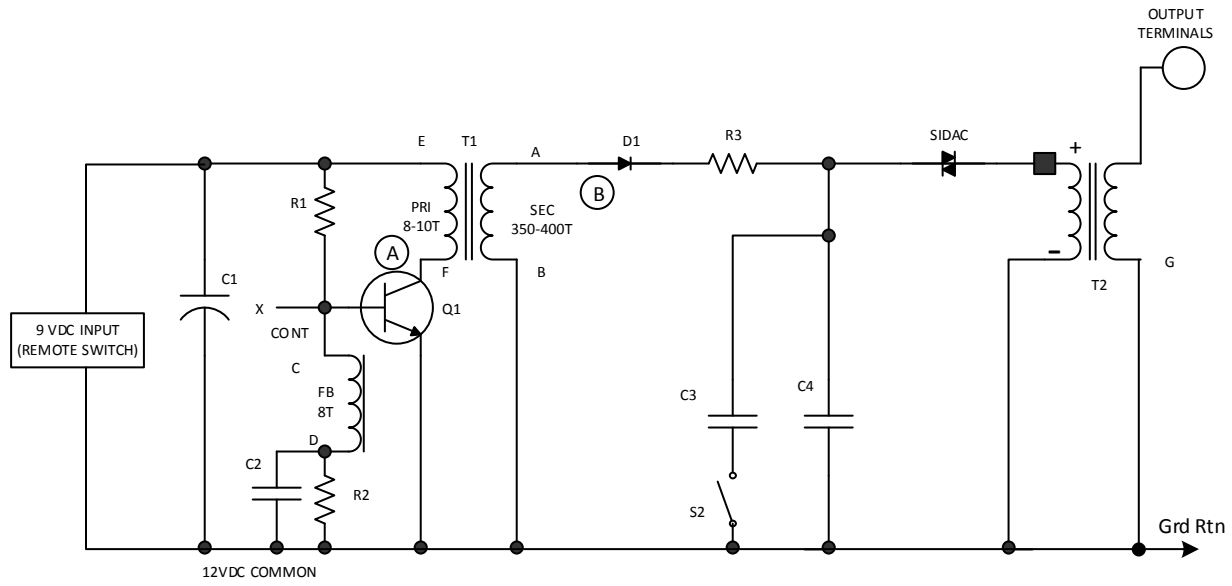


Figure 16-6: Igniter Schematic

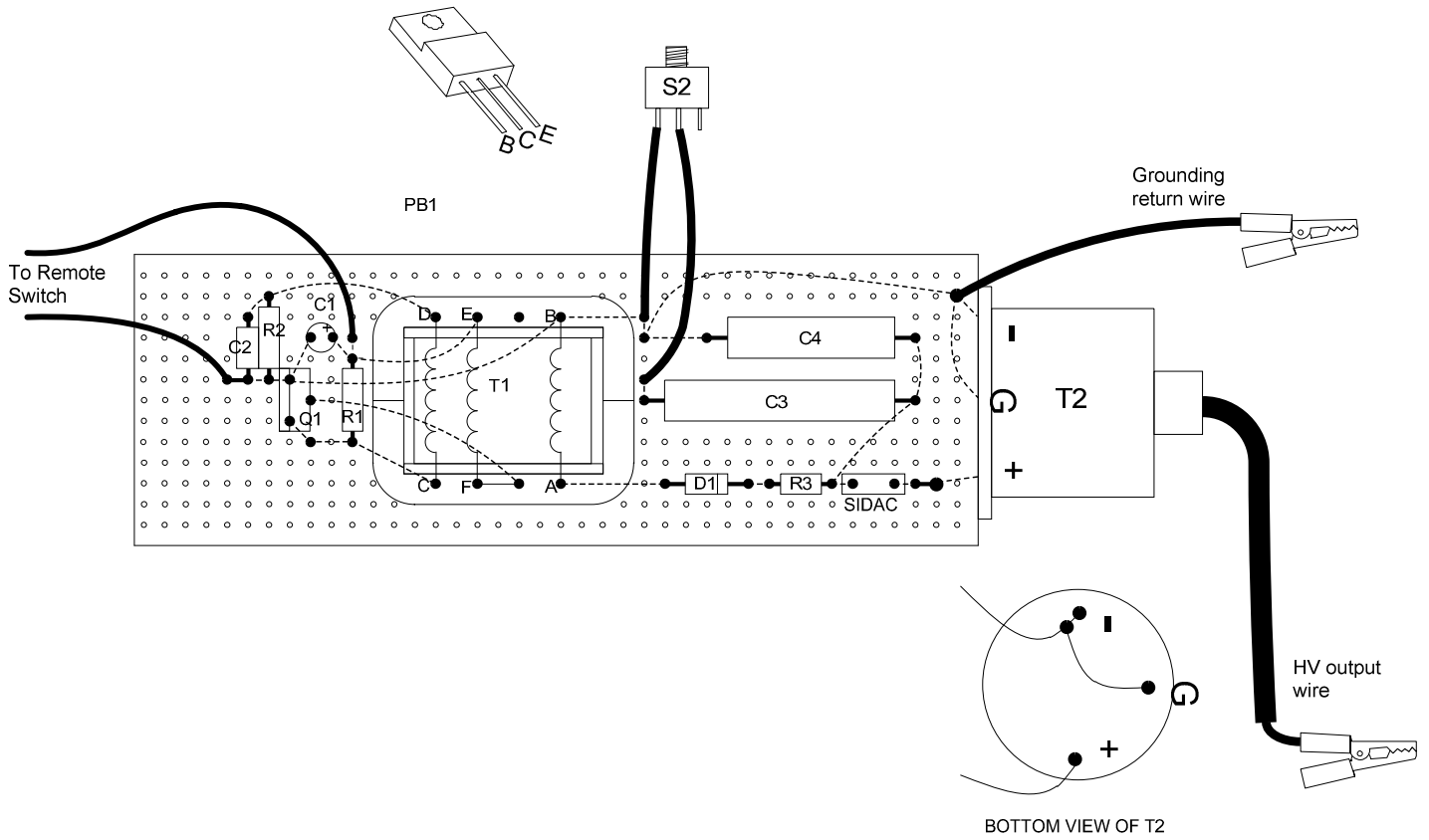


Figure 16-7: Component Layout and Wiring

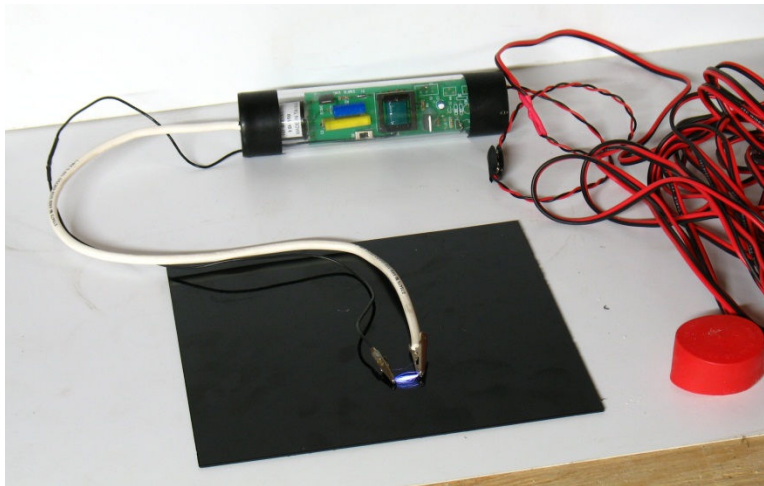


Figure 16-8: HV Spark