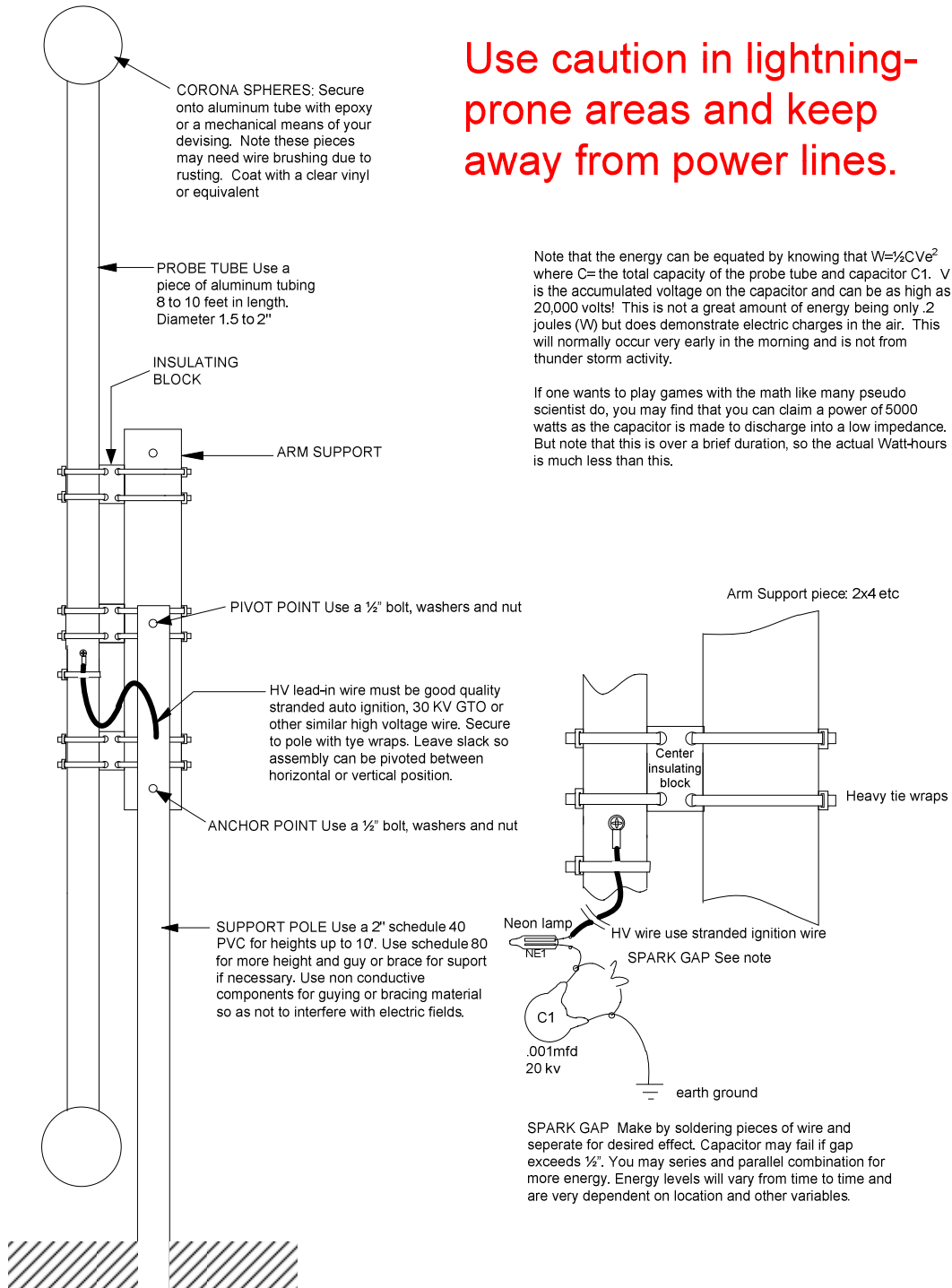


CHAPTER 12

Free High Voltage Experimental Energy Device

These full-color high-resolution photos and schematics go with the book *Electronic Gadgets for the Evil Genius (Second Edition)*, and may provide clarity or details beyond what the book itself contains, if needed. This device, and its parts/components, may be available at www.amazing1.com



Use caution in lightning-prone areas and keep away from power lines.

Note that the energy can be equated by knowing that $W = \frac{1}{2}CVe^2$ where C= the total capacity of the probe tube and capacitor C1. V is the accumulated voltage on the capacitor and can be as high as 20,000 volts! This is not a great amount of energy being only .2 joules (W) but does demonstrate electric charges in the air. This will normally occur very early in the morning and is not from thunder storm activity.

If one wants to play games with the math like many pseudo scientist do, you may find that you can claim a power of 5000 watts as the capacitor is made to discharge into a low impedance. But note that this is over a brief duration, so the actual Watt-hours is much less than this.

Figure 12-1: High Voltage Experimental Energy Device

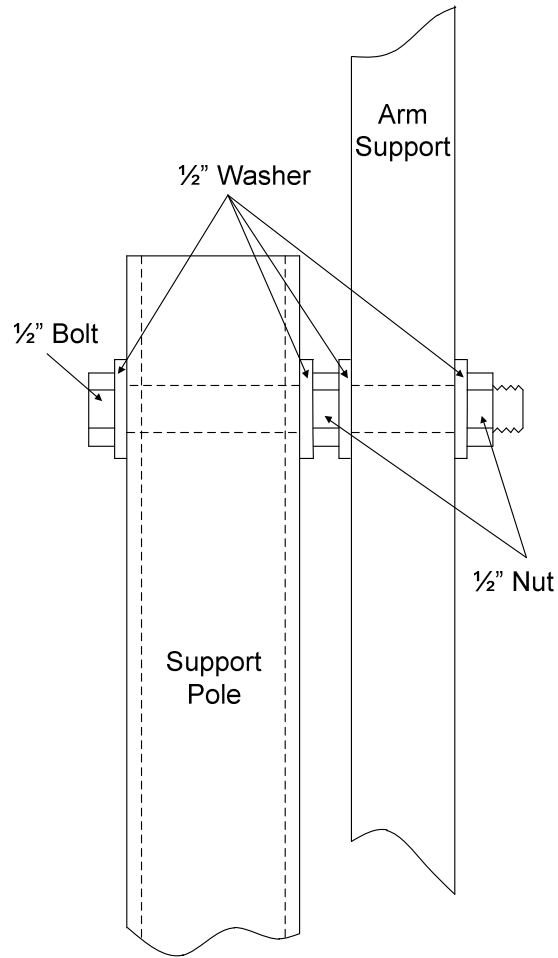


Figure 12-2: Cross-Section of Pivot Point

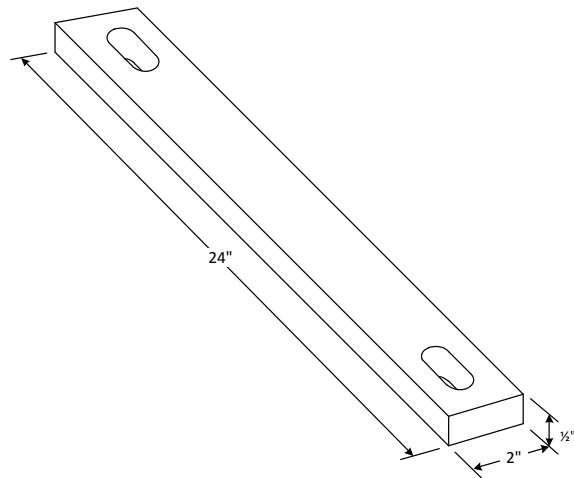


Figure 12-3: Arm Brace

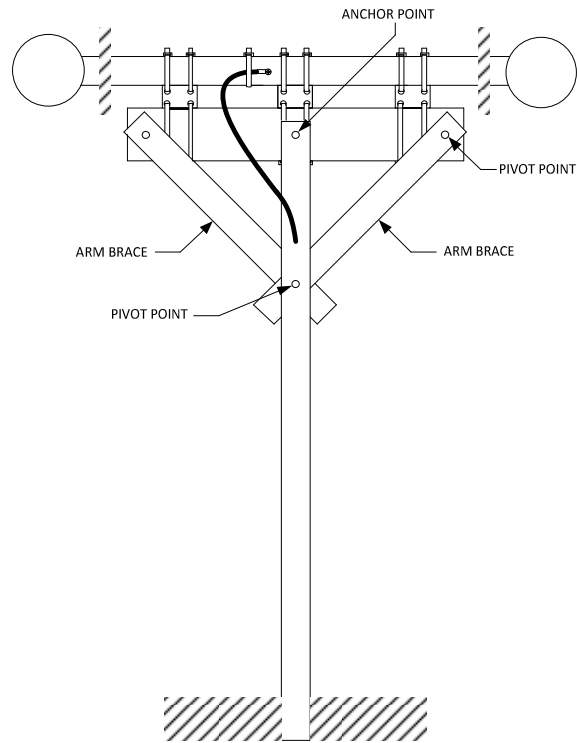


Figure 12-4: Horizontal Profile with 2 Arm Braces