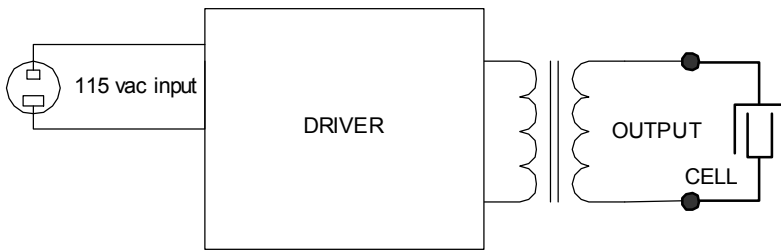
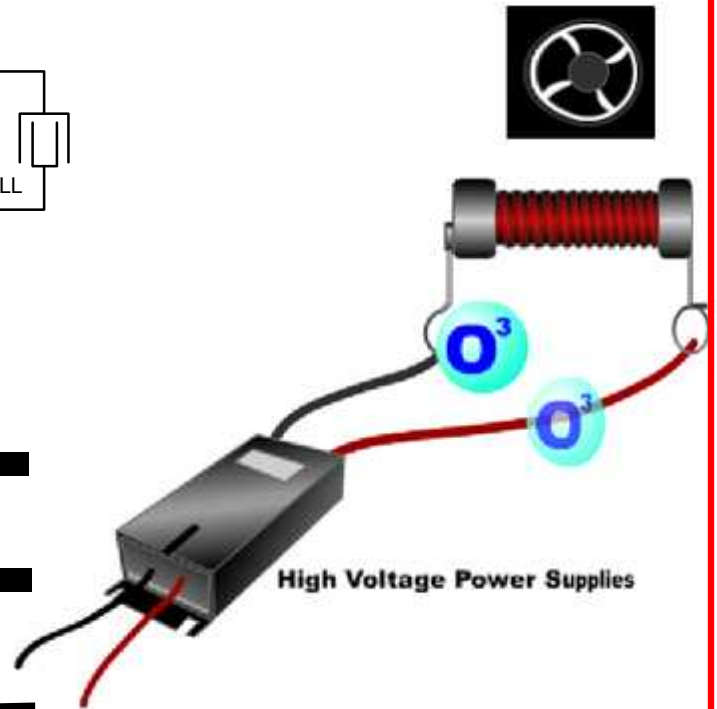
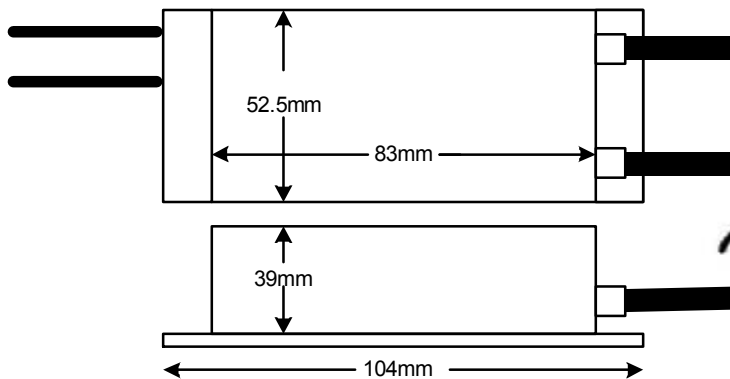


YD029SA4 **Ozone Cell Driver** Fixed High Frequency Output

Web site at www.amazing1.com Email at <tech@amazing1.com>



Schematic



High Voltage Power Supplies

Function	Value	Tolerance	Other
Input Voltage	115 vac		
Input Current (No load)	10 ma		
Input Current (load)	85 ma		
Input Watt (No load)			
Input Watt (load)	5 watts		
Output Volts	8kvac		
Output Configuration	Floating		Do not ground
Internal Operating Frequency	18 khz		

Do not operate open circuit.
Always check entire system for any excessive heating.

Information Unlimited PO 716 Amherst, N.H. 03031
Tel#1 603 673 6493 Fax#1 603 672 5406
Email <tech@amazing1.com>
Web <www.amazing1.com>
Copyrighted 3/01