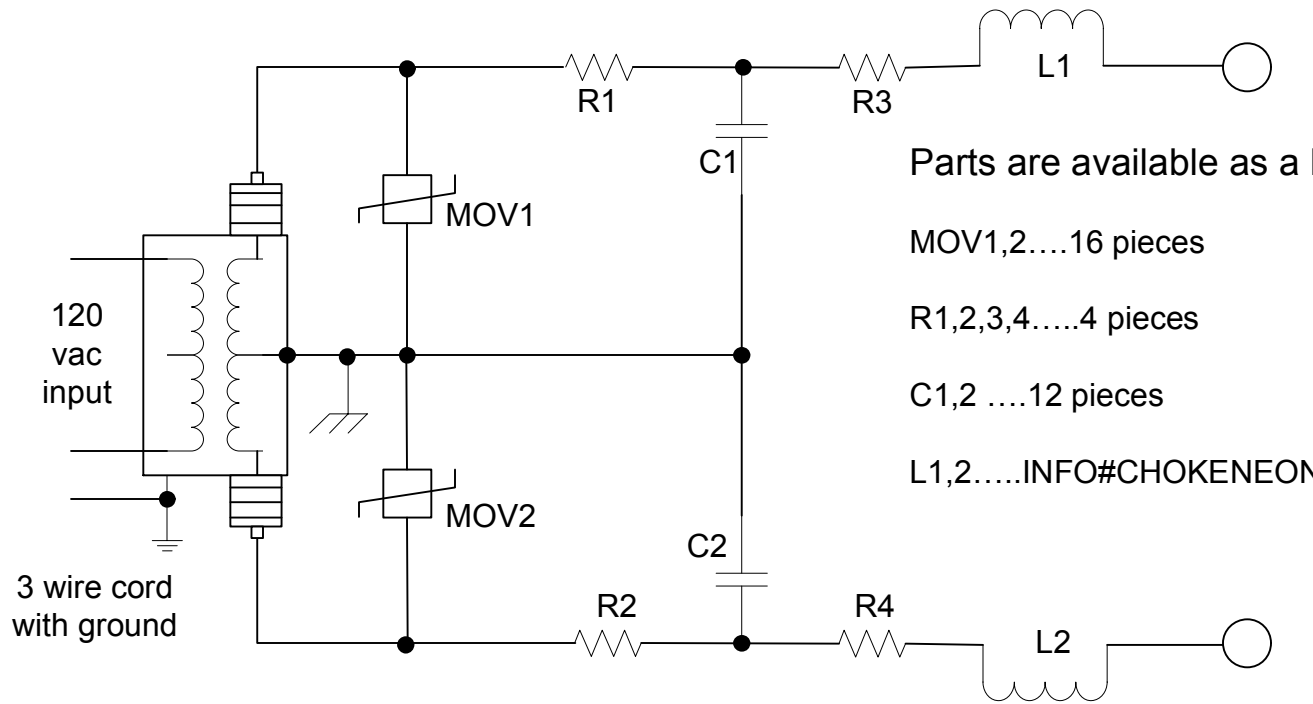


Protecting a Neon Transformer for Use in TESLA Coil Circuitry

This circuit is the property of RESONANCE RESEARCH of Baraboo, Wisconsin supplier of large museum quality TESLA COILS AND OTHER APPARATUS



Parts are available as a kit or individually

MOV1,2.....16 pieces

R1,2,3,4.....4 pieces

C1,212 pieces

L1,2.....INFO#CHOKENEON

9KV Unit Use six 1800V MOV in series for each leg for MOV1,2 P7215

12KV Unit Use seven 1800V MOV in series for each leg for MOV1,2

15KV Unit Use **eight** 1800V MOV in series for each leg or MOV1,2

All Units use **four** 300 ohm 50 watt wire wound resistors each for R1,2,3,4

All Units use **six** pieces .033mfd 1.6kv MPP in each leg in series for C1,2 P10501

All Units use coils of 80 turns of #24 pvc jacketed wire close wound on a 1.5-2" OD PVC tube for L1,2