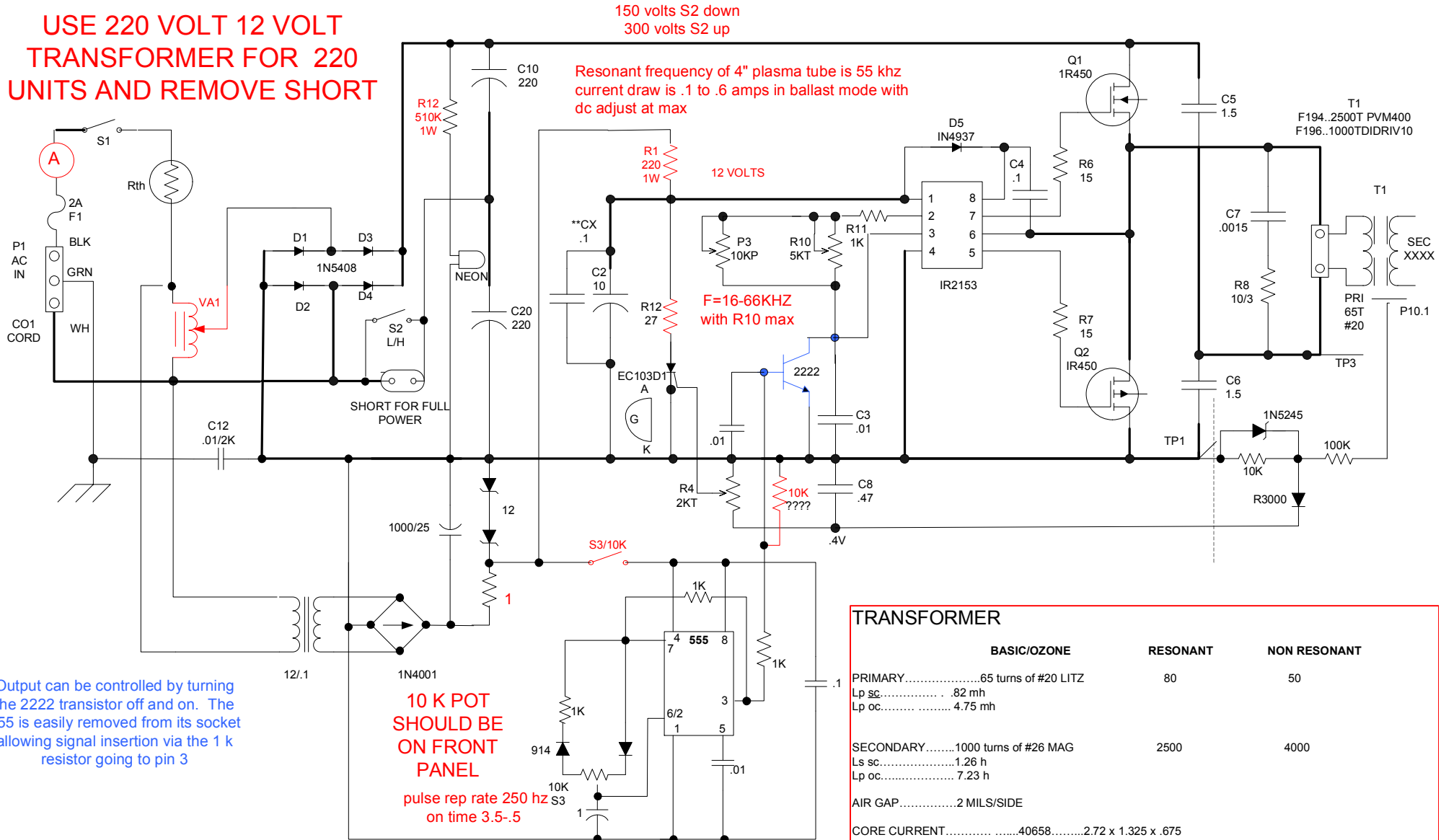


# DIDRIV10/PVM500DC SCHEMATIC for PULSED HALF POWER RESONANT OPERATION REV1208

Intended for dielectric barrier discharge systems/plasma displays/hydrogen production

**USE 220 VOLT 12 VOLT TRANSFORMER FOR 220 UNITS AND REMOVE SHORT**



Output can be controlled by turning the 2222 transistor off and on. The 555 is easily removed from its socket allowing signal insertion via the 1 k resistor going to pin 3

**10 K POT SHOULD BE ON FRONT PANEL**

pulse rep rate 250 hz  
on time 3.5-.5

TRANSFORMER			
	BASIC/OZONE	RESONANT	NON RESONANT
PRIMARY.....	.65 turns of #20 LITZ	80	50
Lp sc.....	.82 mh		
Lp oc.....	4.75 mh		
SECONDARY.....	1000 turns of #26 MAG	2500	4000
Ls sc.....	1.26 h		
Lp oc.....	7.23 h		
AIR GAP.....	.2 MILS/SIDE		
CORE CURRENT.....	.40658.....2.72 x 1.325 x .675		
CORE reclaim.....	.40787.....2.72 x 1.53 x .675		
CORE intl ferrite.....	.3.2 x 1.756 x .625		
CORE intl ferrite.....	.3.2 x 1.285 x .625		
SET.....	.35 us on 48 x 4 column foe .8 amps cold		