

PSP SERIES SONIC/ULTRASONIC ACOUSTICAL GENERATOR

P1 of 2

This product is intended for laboratory use and the experimental control of animals. It is assumed the user is fully aware of these applications and hazards. A sound pressure (SPL) chart is enclosed with these instructions.

CAUTION! Unit produces in excess of 130db SPL @18" and is labeled CAUTION!

Unit may be used for flushing out certain target rodents for other means of irradiation or for statistical evaluation of other pest controls and procedures. Use to discourage unwanted pests, predators raiding bird feeders, flushing out rats from dumps silage bins, graineries, chicken houses etc. Exposure to people will cause severe discomfort, painnausea, paranoia and disorientation.

CONTROLS

FREQ CONTROL/ON/OFF-*Click on and rotate for desired frequency. Adjusts frequency from 10 to 25 Khz. May require experimenting for best results. Make note of shaft setting for specific targets

SWEEP FREQ/ON/OFF-Click on to enable sweep and rotate to desired rate. Changes from a slow increasing rate to a chirping effect.

***CONTROL PUSH BUTTON**- Powers unit as long as button is held. Must be activated.

TEST TONE PUSH BUTTON-Lowers output frequency to audible range simultaneously with above.

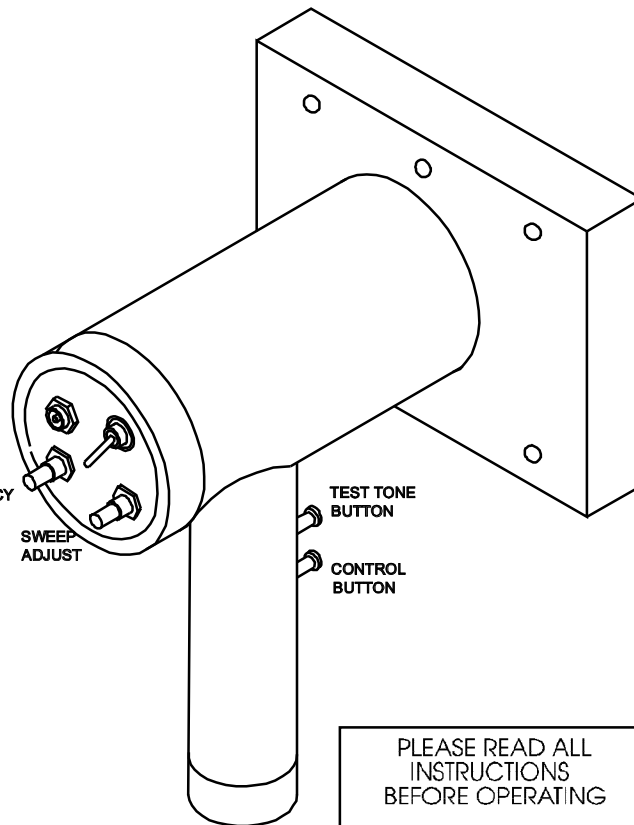
INT/EXT POWER SWITCH -Selects internal

batteries or external wall adapter with correct mating plug. *DOWN* position is batteries, *UP* is external 12 volts.

EXTERNAL POWER JACK-Connect to mating plug of 12VDC/1.5A Wall adapter.

INSTRUCTIONS

1. Slide off battery cover and remove 8 cell holder. Insert 8 fresh alkaline "AA" cells and reinsert connecting to mating clip.
2. Test above control settings and verify proper functioning.



PLEASE READ ALL
INSTRUCTIONS
BEFORE OPERATING

CAUTION

ACCOUSTICAL
ULTRASONIC DEVICES

- ★ SOUND PRESSURE LEVEL IN EXCESS OF ONE HOUR AT 105 DB MAY IMPAIR HEARING
- ★ CHECK LOCAL LAWS BEFORE USING AS AN INTRUSION DETERRENT

PSP SERIES SONIC/ULTRASONIC ACOUSTICAL GENERATOR

This product is intended for laboratory use and the experimental control of animals. It is assumed the user is fully aware of these applications and hazards. A sound pressure (SPL) chart is enclosed with these instructions.

CAUTION! Unit produces in excess of 130db SPL @18" and is labeled

Unit may be used for flushing out certain target rodents for other means of irradiation or for statistical evaluation of other pest controls and procedures. Use to discourage unwanted pests, predators raiding bird feeders, flushing out rats from dumps silage bins, graineries, chicken houses etc. Exposure to people will cause severe discomfort. pain nausea, paranoia and disorientation.

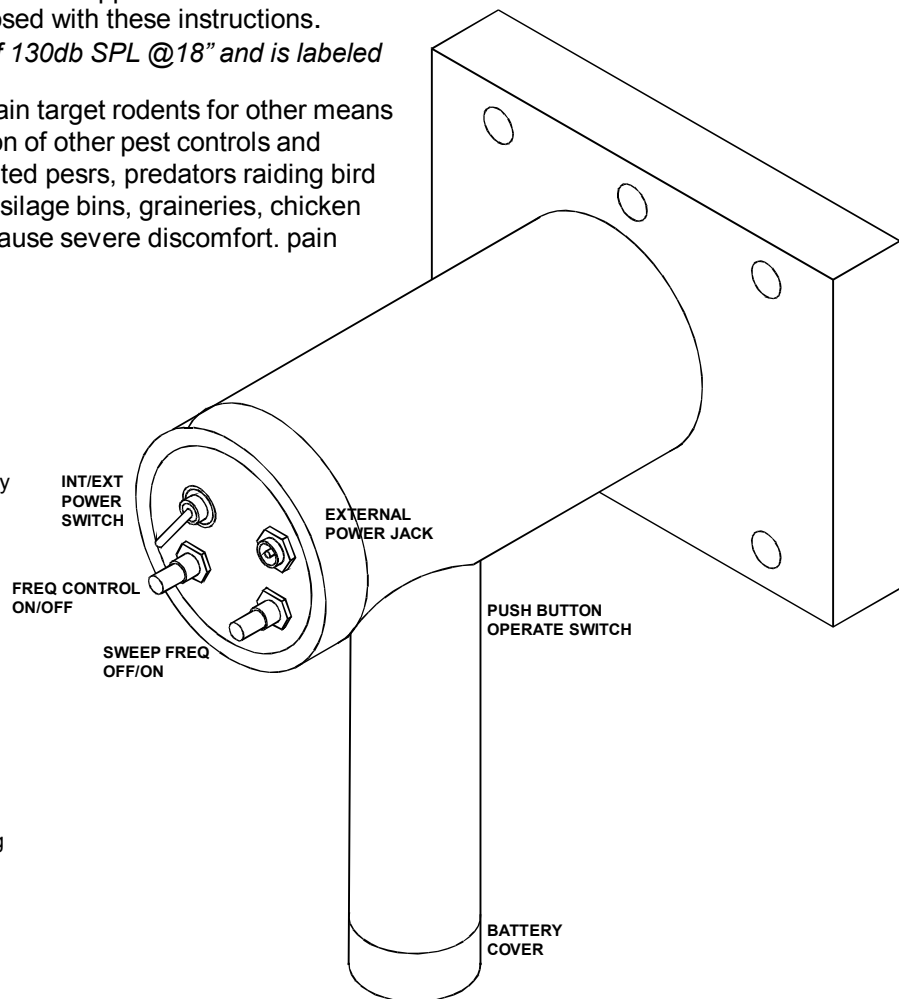
CONTROLS

FREQ CONTROL/ON/OFF-Click on and rotate for desired frequency. Adjusts frequency from 10 to 25 KHz. May require experimenting for best results. Make note of shaft setting for specific targets

SWEEP FREQ/ON/OFF-Click on to enable sweep and rotate to desired rate. Changes from a slow increasing rate to a chirping effect.

INT/EXT POWER SWITCH-Selects internal batteries or external wall adapter with correct mating plug

EXTERNAL POWER JACK-Connect to mating plug of 12VDC/1A Wall adapter.



INSTRUCTIONS

1. Slide off battery cover and remove 8 cell holder. Insert 8 fresh alkaline "AA" cells and reinsert connecting to mating clip.
2. Test above control settings and verify proper functioning.
3. To operate simply point to target and press *push button operate* switch
4. Consult included SPL chart for sound comparisons.

PLEASE READ ALL
INSTRUCTIONS
BEFORE OPERATING

CAUTION

ACCOUSTICAL
ULTRASONIC DEVICES

- ★ SOUND PRESSURE LEVEL IN EXCESS OF ONE HOUR AT 105 DB MAY IMPAIR HEARING
- ★ CHECK LOCAL LAWS BEFORE USING AS AN INTRUSION DETERRENT