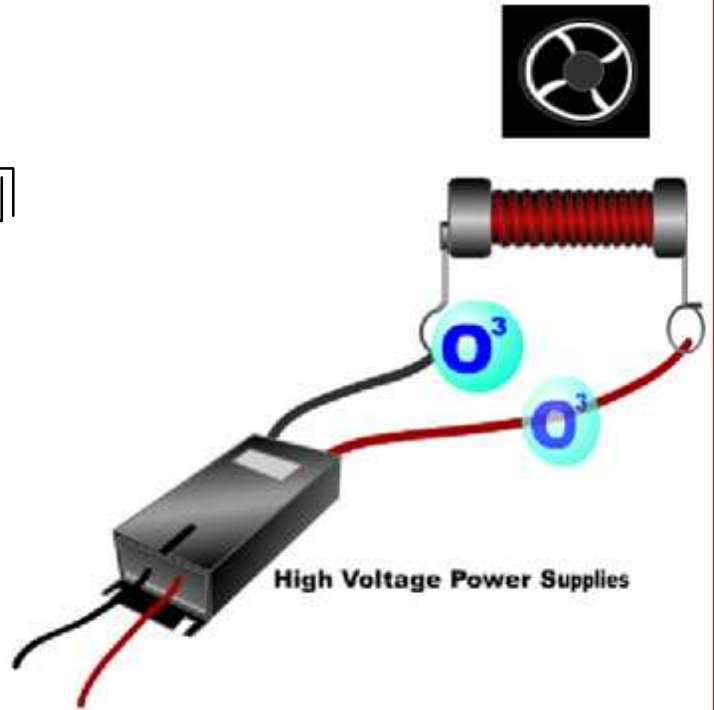
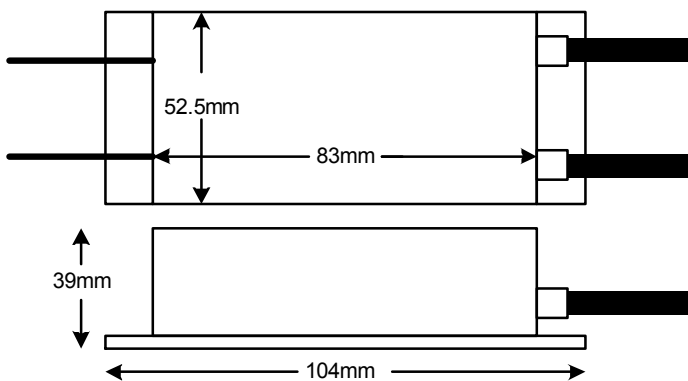
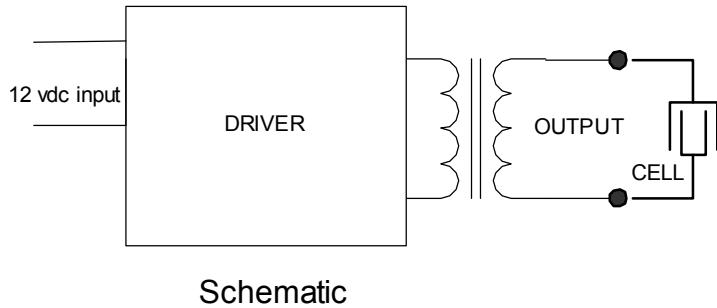


SS05S Ozone Cell Driver



Function	Value	Tolerance	Other
Input Voltage	12 vdc		
Input Current (No load)			
Input Current (load)	700 ma		
Input Watt (No load)			
Input Watt (load)			
Output Volts	8 kvac		
Output Configuration	Floating		Do not ground
Internal Operating Frequency	60 khz		

NOTES: Designed to interface with our (SS05) 30 mg open air ozone cell. This cell must be air cooled using a small muffin fan. Do not operate open circuit.
Always check entire system for any excessive heating

Information Unlimited PO 716 Amherst, N.H. 03031
 Tel#1 603 673 6493 Fax#1 603 672 5406
 Email <riannini@metro2000.net>
 Web <www.amazing1.com>
 Copywrited 3/01